

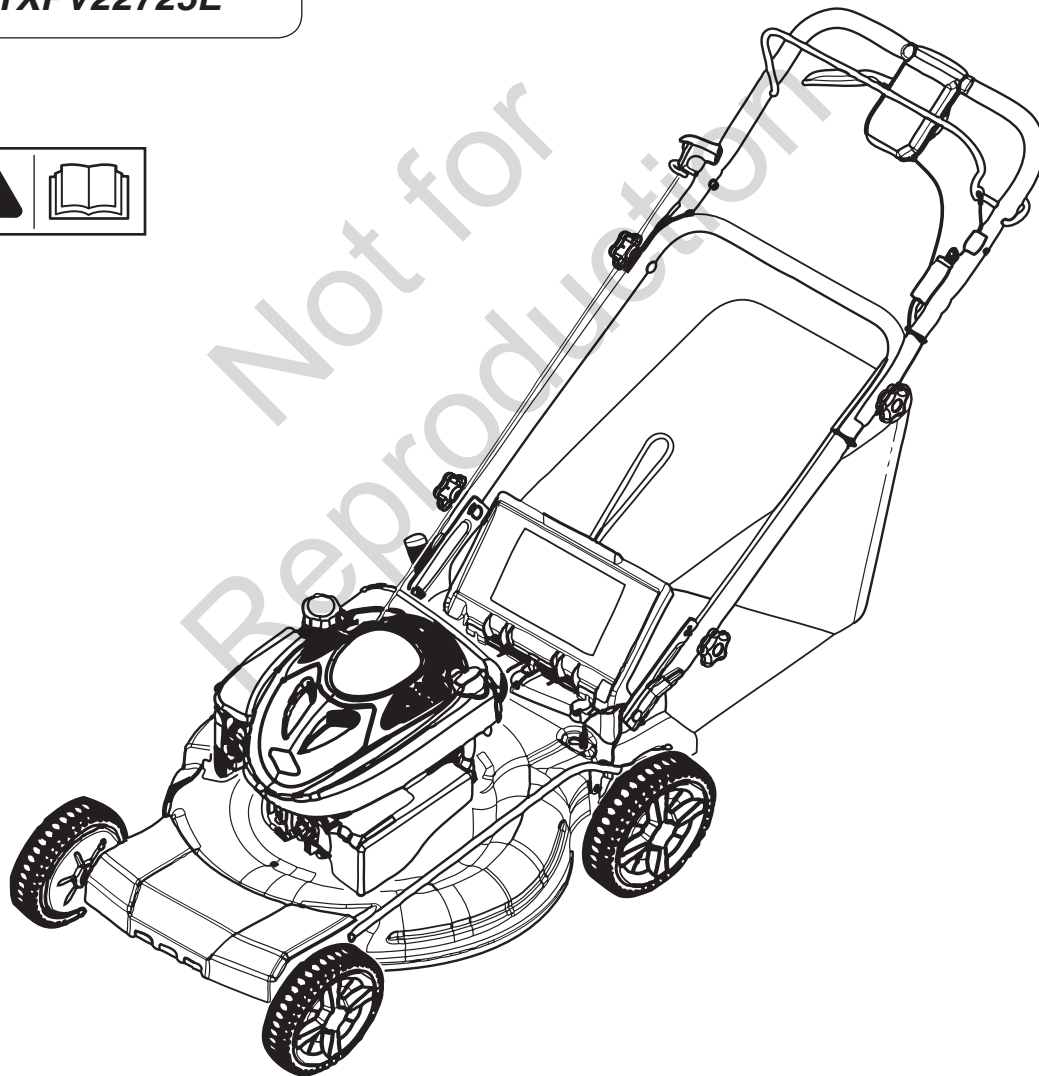


# BRUTE™ by



## Operator's Manual

<i>Model No.</i>	<i>Description</i>
7800886	BTXPV22725
7800887	BTXPV22725E



**Thank You** for purchasing this quality-built Brute mower. We're pleased that you placed your confidence in the Brute brand. When operated and maintained according to the instructions in this manual, your Brute mower will provide many years of dependable service.

**This manual contains** safety information to make you aware of the hazards and risks associated with the machine and how to avoid them. This machine is designed and intended only for finish cutting of established lawns and is not intended for any other purpose. It is important that you read and understand these instructions thoroughly before attempting to start or operate this equipment. **Save these original instructions for future reference.**

Date of Purchase \_\_\_\_\_

Retailer \_\_\_\_\_

Retailer's Phone Number \_\_\_\_\_

Equipment

Model Number \_\_\_\_\_

Serial Number \_\_\_\_\_

Engine


Model \_\_\_\_\_ Type \_\_\_\_\_ Code \_\_\_\_\_

Not for  
Reproduction


# Table of Contents

<b>Operator Safety</b> .....	<b>4</b>
<b>Features and Controls</b> .....	<b>10</b>
<b>Assembly</b> .....	<b>11</b>
<b>Operation</b> .....	<b>12</b>
Before Starting .....	12
Starting the Mower .....	13
Propelling the Mower .....	13
Stopping the Mower .....	13
Handle Height Adjustment .....	14
Cutting Height Adjustment .....	14
Mulching Operation .....	14
Installing the Discharge Deflector .....	14
Installing the Grass Bag .....	15
Charging the Battery .....	16
<b>Maintenance</b> .....	<b>17</b>
Maintenance Chart .....	17
Change Engine Oil .....	18
Service Air Filter .....	18
Check Safety Interlock System .....	19
Clean Debris Off Mower .....	19
Drive Control Adjustment .....	20
Storage Procedure .....	21
<b>Troubleshooting</b> .....	<b>22</b>
<b>Warranties</b> .....	<b>23</b>
<b>Slope Guide</b> .....	<b>25</b>

Not for  
Reproduction



## WARNING




It is a violation of California Public Resource Code, Section 4442, to use or operate the engine on any forest-covered, brush-covered, or grass-covered land unless the exhaust system is equipped with a spark arrester, as defined in Section 4442, maintained in effective working order. Other states or federal jurisdictions may have similar laws. Contact the original equipment manufacturer, retailer, or dealer to obtain a spark arrester designed for the exhaust system installed on this engine.




## WARNING



Battery posts, terminals and related accessories contain lead and lead compounds, chemicals known to the State of California to cause cancer and birth defects or other reproductive harm. Wash hands after handling.



## WARNING



Engine exhaust, some of its constituents, and certain vehicle components contain or emit chemicals known to the State of California to cause cancer or other reproductive harm.

# Operator Safety



## Operating Safety

Power equipment is only as safe as the operator. If it is misused, or not properly maintained, it can be dangerous! Remember, you are responsible for your safety and that of those around you.

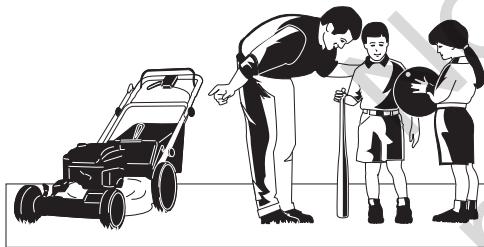
Use common sense, and think through what you are doing. If you are not sure that the task you are about to perform can be safely done with the equipment you have chosen, ask a professional: contact your local authorized dealer.

## Read the Manual

The operator's manual contains important safety information you need to be aware of BEFORE you operate your unit as well as DURING operation.

Safe operating techniques, an explanation of the product's features and controls, and maintenance information is included to help you get the most out of your equipment investment.

Be sure to completely read the Safety Rules and Information found on the following pages. Also completely read the Operation section.



## Children

Tragic accidents can occur with children. Do not allow them anywhere near the area of operation. Children are often attracted to the unit and mowing activity. Never assume that children will remain where you last saw them. If there is a risk that children may enter the area where you are mowing, have another responsible adult watch them.

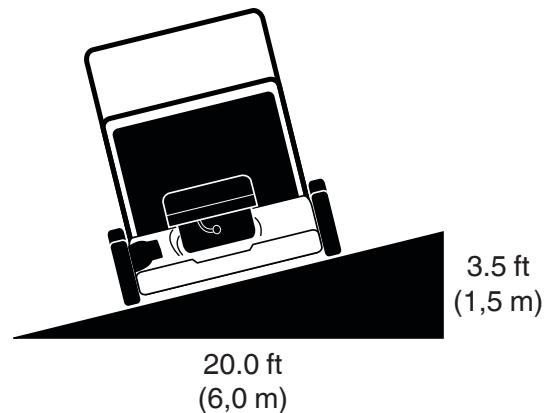
## Slope Operation

You could be seriously injured or even killed if you use this unit on too steep an incline. Using the unit on a slope that is too steep or where you don't have adequate footing or traction can cause you to lose control or slip and fall.

You should not operate on inclines with a slope greater than 10 degrees, which is a 3.5 ft (1,5 m) rise over 20.0 ft (6,0 m). Always mow across slopes, never up and down.

Also note that the surface you are mowing can greatly impact control. Wet grass or leaves can seriously affect your footing and traction on a slope.

If you feel unsure about operating the unit on an incline, don't do it. It's not worth the risk.

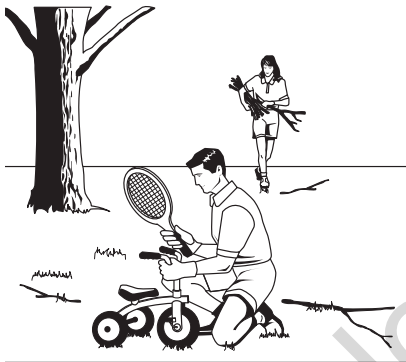
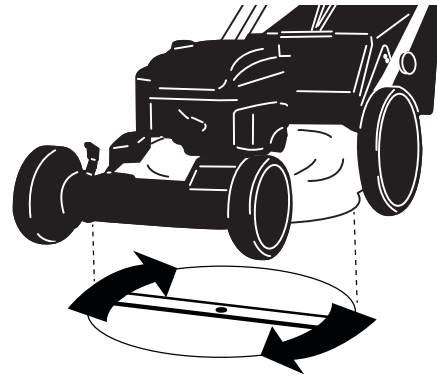


## Moving Parts

This equipment has moving parts that can injure you or someone else. However, if you stand behind the handle properly and follow all the rules in this book, the unit is safe to operate.

The mower deck has a spinning mower blade that can amputate hands and feet. Do not allow anyone near the equipment while it is running!

To help you, the operator, use this equipment safely, it is equipped with an operator present safety system. Do NOT attempt to alter or bypass the system. See your dealer immediately if the system does not pass all the safety interlock system tests found in this manual.



## Thrown Objects

This unit has a spinning mower blade. This blade can pick up and throw debris that could seriously injure a bystander. Be sure to clean up the area to be mowed BEFORE you start mowing.

Do not operate this unit without the entire grass catcher or discharge guard (deflector) in place.

Also, do not allow anyone in the area while the unit is running! If someone does enter the area, shut the unit off immediately until they leave.

## Debris Accumulation

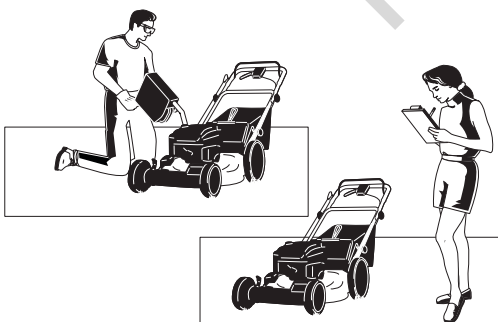
Accumulation of grass and debris can result in a fire. Be sure to clean any accumulation of grass and debris with a brush or compressed air, before and after operation.



## Fuel and Maintenance

Gasoline is extremely flammable. Its vapors are also extremely flammable and can travel to distant ignition sources. Gasoline must only be used as a fuel, not as a solvent or cleaner. It should never be stored any place where its vapors can build up or travel to an ignition source like a pilot light. Fuel belongs in an approved, plastic, sealed gas can, or in the tractor fuel tank with the cap securely closed. Spilled fuel needs to be cleaned up immediately.

Proper maintenance is critical to the safety and performance of your unit. Be sure to perform the maintenance procedures listed in this manual, especially periodically testing the safety system.



# Operator Safety



**WARNING:** This powerful cutting machine is capable of amputating hands and feet and can throw objects that can cause injury and damage! Failure to comply with the following SAFETY instructions could result in serious injury or death to the operator or other persons. The owner of the machine must understand these instructions and must allow only persons who understand these instructions to operate machine. Each person operating the machine must be of sound mind and body and must not be under the influence of any substance, which might impair vision, dexterity or judgment.

## PROTECTION FOR CHILDREN

Tragic accidents can occur if the operator is not alert to the presence of children. Children are often attracted to the machine and the mowing activity. Never assume that children will remain where you last saw them.

1. KEEP children out of the mowing area and under the watchful care of a responsible adult other than the operator.
2. DO NOT allow children in yard when machine is operated and turn machine OFF if anyone enters the area.
3. DO NOT allow pre-teenage children to operate machine.
4. ALLOW only responsible adults & teenagers with mature judgment under close adult supervision to operate machine.
5. DO NOT pull mower backwards unless absolutely necessary. LOOK and SEE behind and down for children, pets and hazards before and while backing.
6. USE EXTRA CARE when approaching blind corners, shrubs, trees, or other objects that may obscure vision.

## SLOPE OPERATION

1. Slopes are a major factor related to slip and fall accidents, which can result in severe injury. All slopes require extra caution. If you feel uneasy on a slope, DO NOT mow it.
2. Mow across slopes, never up-and-down. Exercise extreme CAUTION when changing directions on slopes. DO NOT mow steep slopes or other areas where stability or traction is in doubt. Refer to the Slope Guide at the back of this manual.
3. Use extra care with grass catchers or other attachments; these affect the handling and the stability of the machine.

## PREPARATION

1. Read, understand, and follow instructions and warnings in this manual and on the mower, engine and attachments. Know the controls and the proper use of the mower before starting.
2. Only mature, responsible persons shall operate the machine and only after proper instruction.
3. Data indicates that operators age 60 and above, are involved in a large percentage of mower-related injuries. These operators should evaluate their ability to operate the mower safely enough to protect themselves and others from serious injury.
4. Handle fuel with extra care. Fuels are flammable and vapors are explosive. Use only an approved fuel container. DO NOT remove fuel cap or add fuel with engine running.

## PREPARATION

### (Continued From Previous Column)

- Add fuel outdoors only with engine stopped and cool. Clean spilled fuel and oil from machine. DO NOT smoke.
5. Check the area to be mowed and remove all objects such as toys, wire, rocks, limbs and other objects that could cause injury if thrown by blade or interfere with mowing. Also note the location of holes, stumps, and other possible hazards.
  6. Keep people and pets out of the mowing area. Immediately, STOP Blade, Stop engine and Stop mower if anyone enters the area.
  7. Check shields, deflectors, switches, blade controls and other safety devices frequently for proper operation and location.
  8. Make sure all safety decals are clearly legible. Replace if damaged.
  9. Protect yourself when mowing and wear safety glasses, long pants and substantial footwear. DO NOT mow barefooted or with sandals.
  10. Know how to STOP blade and engine quickly in preparation for emergencies.
  11. Use extra care when loading or unloading the machine into a trailer or truck.
  12. Check grass catcher components frequently for signs of wear or deterioration and replace as needed to prevent injury from thrown objects going through weak or torn spots.

## SAFE HANDLING OF GASOLINE

To avoid personal injury or property damage, use extreme care in handling gasoline. Gasoline is extremely flammable and the vapors are explosive.

1. Extinguish all cigarettes, cigars, pipes and other sources of ignition.
2. Use only an approved fuel container.
3. DO NOT remove fuel cap or add fuel with the engine running. Allow the engine to cool before refueling.
4. DO NOT refuel the machine indoors.
5. DO NOT store the machine or fuel container inside where there is an open flame, spark or pilot light such as on a water heater or other appliances.
6. DO NOT fill fuel containers inside a vehicle or on a truck or trailer bed with a plastic liner. Always place the containers on the ground away from the vehicle before filling.

## SAFE HANDLING OF GASOLINE (Continued From Previous Page)

7. Remove gas-powered equipment from the vehicle or trailer and refuel it on the ground. If this is not possible, then refuel equipment using a portable container, rather than a gasoline dispenser nozzle.
8. DO NOT start gas powered equipment in enclosed vehicles or trailers.
9. Keep the nozzle in contact with the rim of the fuel tank or container opening at all times until fueling is complete. DO NOT use a nozzle lock-open device
10. If fuel is spilled on clothing, change clothing immediately.
11. DO NOT overfill a fuel tank. Replace fuel cap and tighten securely.

## OPERATION

1. DO NOT put hands or feet near or under rotating parts. Keep clear of discharge area while engine is running.
2. STOP engine when crossing gravel drives, walks, or roads, and under any conditions where thrown objects might be a hazard.
3. Mow only in daylight or good artificial light.
4. DO NOT operate mower while under the influence of alcohol or drugs.
5. After striking a foreign object or if mower vibrates abnormally, STOP the engine, disconnect and secure spark plug wire. Inspect the mower for any damage and repair the damage before starting.
6. DO NOT mow near drop offs, ditches or embankments. Operator could lose footing or balance.
7. STAY ALERT for holes and other hidden hazards. Tall grass can hide obstacles. Keep away from ditches, wash-outs, culverts, fences and protruding objects.
8. DO NOT mow on wet grass. Always be sure of your footing. Keep a firm hold on the handle and walk, never run. Slipping could cause injury.
9. ALWAYS stay behind handle when engine (motor) is running.
10. DO NOT leave the machine with the engine running. STOP BLADE and STOP ENGINE before leaving the operators position for any reason.
11. Before cleaning, repairing or inspecting make certain engine, blade and all moving parts have STOPPED. Disconnect and secure spark plug wire away from plug to prevent accidental starting.
12. STOP engine and wait until the blade comes to complete STOP before removing grass bag and/or clearing grass.
13. DO NOT operate mower without the entire grass catcher, rear guard, or other safety devices in place and working. DO NOT point discharge at people, passing cars, windows or doors.

## OPERATION (Continued From Previous Column)

14. DO NOT discharge material against a wall or obstruction. Material may ricochet back towards the operator.
15. Slow down before turning.
16. Watch out for traffic when near or crossing roadways.
17. DO NOT operate engine in enclosed areas. Engine exhaust gases contain carbon monoxide, a deadly poison.
18. Only use accessories approved by the manufacturer. See manufacturer's instructions for proper operation and installation of accessories.

## MAINTENANCE AND STORAGE

1. DO NOT store mower or fuel container inside where fumes may reach an open flame, spark or pilot light such as in a water heater, furnace, clothes dryer or other gas appliance. Allow engine to cool before storing machine in an enclosure. Store fuel container out of reach of children in a well ventilated, unoccupied building.
2. Keep mower and engine free of grass, leaves or excess grease to reduce fire hazard and engine overheating.
3. When draining fuel tank, drain fuel into an approved container outdoors and away from open flame.
4. Keep all bolts, especially blade bolts, nuts and screws properly tight. Check that all cotter pins are in proper position.
5. Always provide adequate ventilation when running engine. Engine exhaust gases contain carbon monoxide, a deadly poison.
6. Service engine and make adjustments only when engine is stopped. Removed spark plug wire from spark plug and secure wire away from spark plug to prevent accidental starting.
7. DO NOT change engine governor speed settings or overspeed engine.
8. Check grass bag assembly frequently for wear or deterioration to avoid thrown objects and exposure to moving parts. Replace with new bag if loose seams or tears are evident. Replace slider or bag adapter if broken or cracked.
9. Mower blades are sharp and can cut. Wrap the blades or wear heavy leather gloves and use CAUTION when handling them.
10. DO NOT test for spark by grounding spark plug next to spark plug hole; spark plug could ignite gas exiting engine.
11. Have machine serviced by an authorized dealer at least once a year and have the dealer install any new safety devices.
12. Use only factory authorized replacement parts or like parts when making repairs.

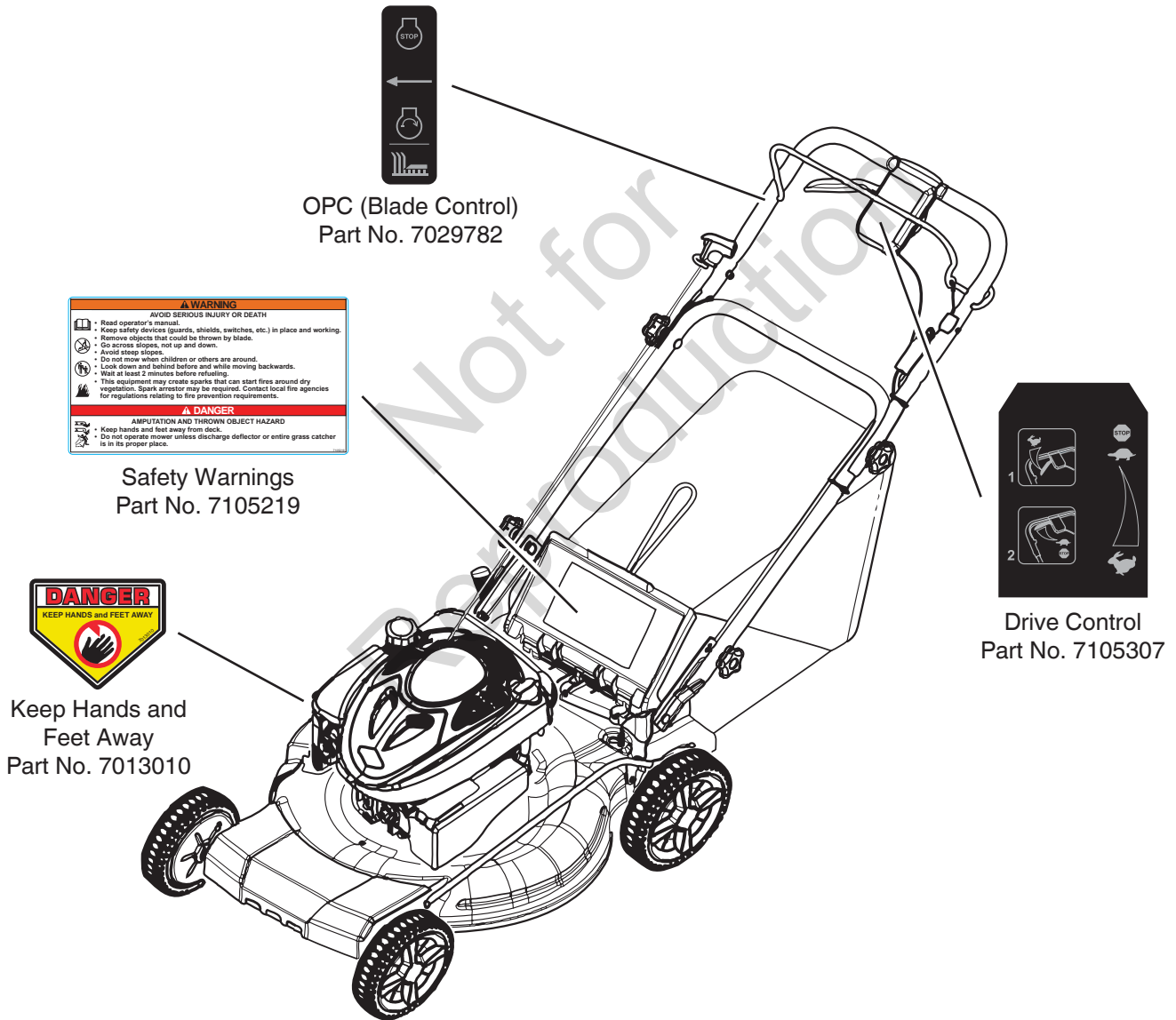
# Operator Safety

## Safety and Operation Decals

Reading this manual and the safety instructions it contains will provide the basic knowledge necessary to operate this mower safely and effectively. However, several safety and operation decals have also been placed on the mower as a reminder of this important information during operation.

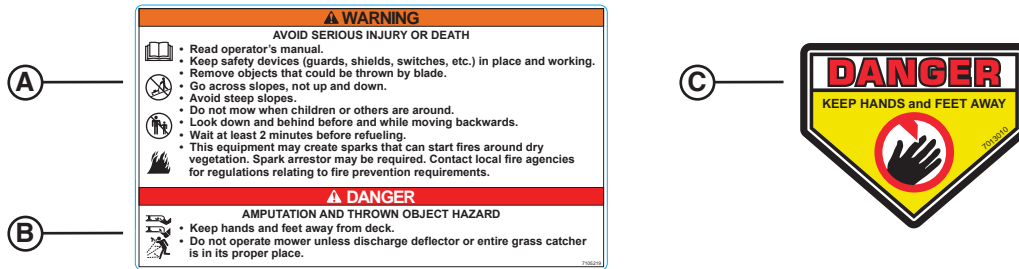
The decals noted below are located on the mower. The safety warnings and operation instructions they contain should be carefully read, understood, and followed. **Not following these important warnings and instructions can result in serious bodily injury or death.**

If any of these decals are lost or damaged, replace them immediately. Contact your dealer for replacement decals.











## Explanation of Safety Decals



### A. WARNING: Avoid Serious Injury or Death

-  Read the operator's manual before attempting to operate the mower.
-  Mow across slopes, not up or down.
-  To avoid injury to others, do not mow when others, especially children, are around.
-  To reduce the potential for fire, wait at least 2 minutes before refueling.

### B. DANGER: Amputation and Thrown Object Hazard.

-  To avoid serious injury or death, keep hands and feet away from the mower deck at all times during operation.
-  To avoid injury from thrown objects, do not operate the mower unless all mulching, discharge, or bagging components are in their proper place.

### C. DANGER: Keep Hands and Feet Away.

## Explanation of Operation Decals



### A. OPC (Blade Control)

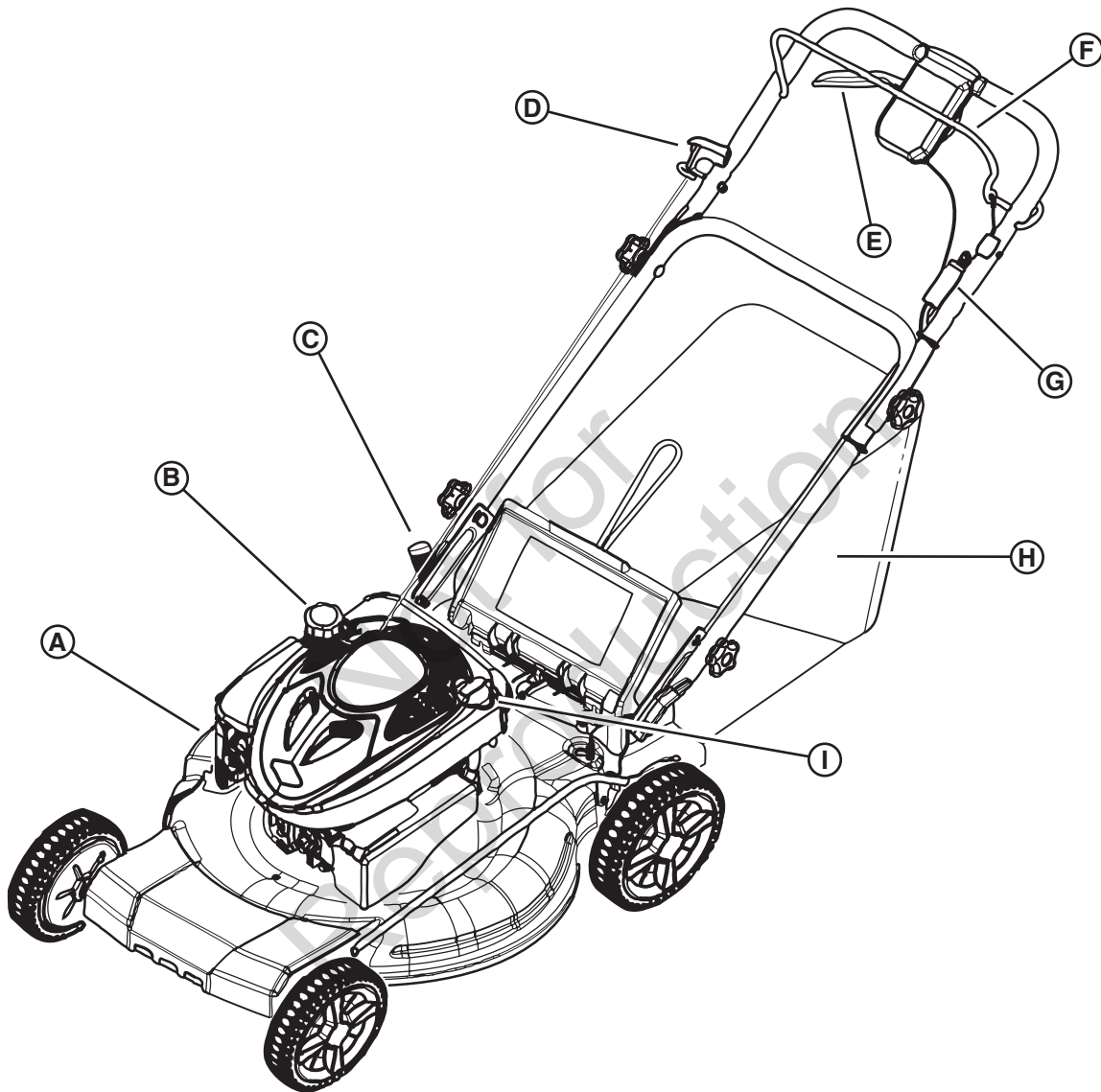
- Squeeze blade control to start and run engine and blade.
- Release blade control to stop engine and blade.

- A. Engage/Fast
- B. Slow/Disengage

# Features and Controls

## IMPORTANT

The figures and illustrations in this manual are provided for reference only and may differ from your specific model. Contact your dealer if you have questions.



- A. Mulching Cover
- B. Fuel Filler Cap
- C. Cutting Height Adjust Lever
- D. Starter Rope Handle

- E. Drive Control
- F. Blade Control
- G. Ignition Switch (7800887)
- H. Grass Bag
- I. Oil Fill Cap and Dipstick

## Unpack the Mower

1. Cut all four corners of the box from top to bottom.
2. Remove all packing materials from the mower.
3. Locate and identify the items included with the mower:
  - Mulching plug (installed)
  - Grass bag
  - Side discharge deflector
  - SAE30W Oil
  - Battery Charger (7800887)
  - Set of Keys (7800887)
  - Operator's manual

## Raise the Handle Assembly

1. Loosen, but do not remove, the knobs **(A, Figure 1)** on both sides of the upper handle.
2. Unfold the upper handle so that it is aligned with the lower handle, and tighten the upper knobs.
3. Remove the handle knobs, washers and carriage bolts from the lower handle **(B)**.
4. Raise the lower handle, aligning it with one of the three sets of holes in the handle bracket. (Most users will prefer the middle position). Replace the hardware removed in Step 3, tightening securely.

## Set Up the Starter Rope Handle

1. Squeeze the blade control **(A, Figure 2)** against the handle.
2. Pull the starter rope handle **(B)** out of the engine to the rope guide **(C)**. Hook the starter rope into the rope guide (it might be a tight fit).

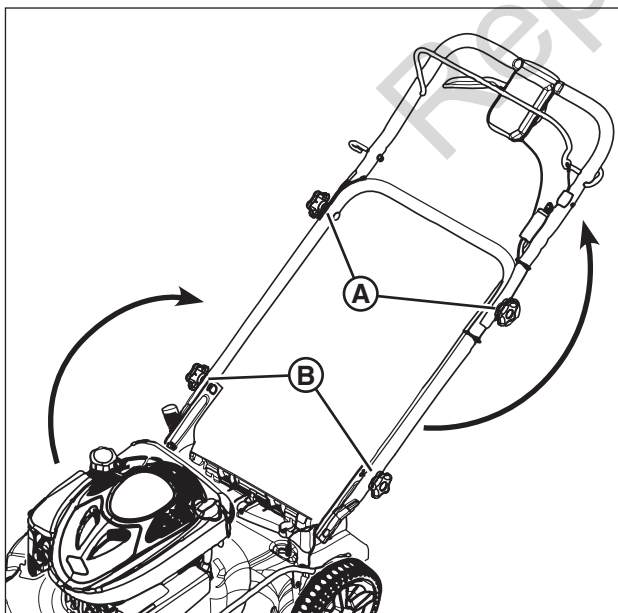


Figure 1: Raising the handle assembly

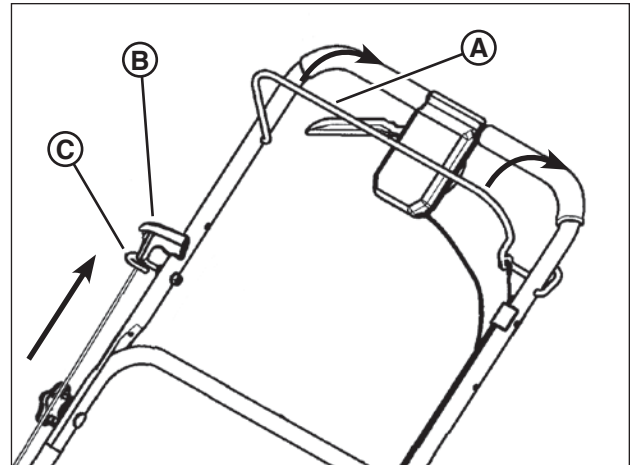


Figure 2: Starter rope handle

## Assemble the Grass Bag

1. Slide the frame assembly **(A, Figure 3)** into the grass bag **(B)**. Ensure the handle **(C)** is on the outside of the grass bag.
2. Attach the clips **(D)** to the sides, top and bottom of the frame assembly.

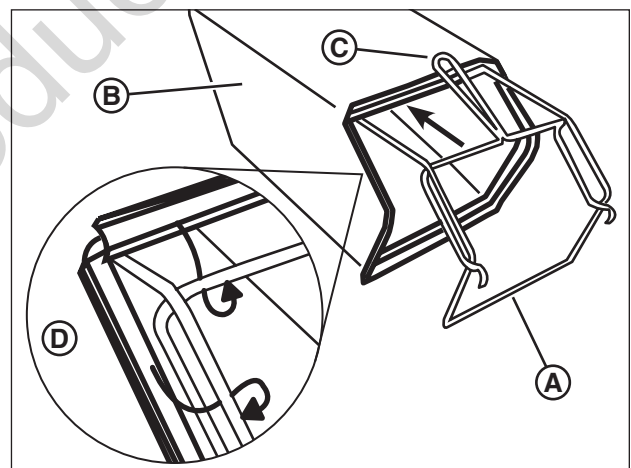


Figure 3: Assembling the grass bag

# Operation

## Before Starting

1. Check the guards, deflectors, grass bag, and covers to make sure all are in place and securely tightened.
2. Check the blade control (**A, Figure 4**) and drive control (**B**) to insure they work freely.

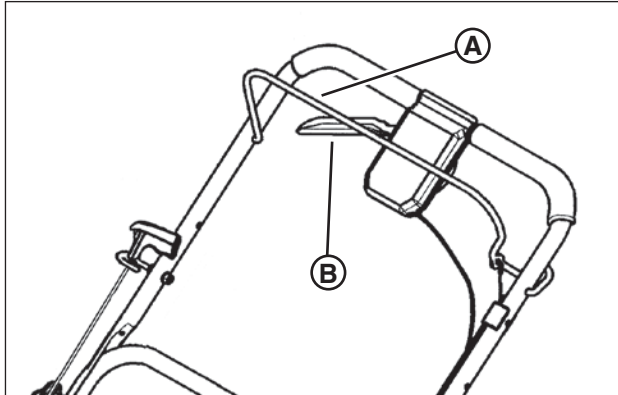


Figure 4: Mower controls

3. Check the cutting height. Adjust to the desired height. Refer to the section entitled 'Cutting Height Adjustment'.
4. Check the engine oil:
  - Make sure the mower is on a level surface.
  - Clean the oil fill area of any debris.
  - Remove the dipstick (**A, Figure 5**) and wipe with a clean cloth.
  - Insert and tighten the dipstick.
  - Remove the dipstick and check the oil level. It should be at the top of the full indicator (**B**) on the dipstick.
  - If low, add oil slowly into the engine oil fill. Refer to the section entitled 'Oil Recommendations'. **Do not overfill.** After adding oil, wait one minute and recheck the oil level.
  - Replace and tighten the dipstick.

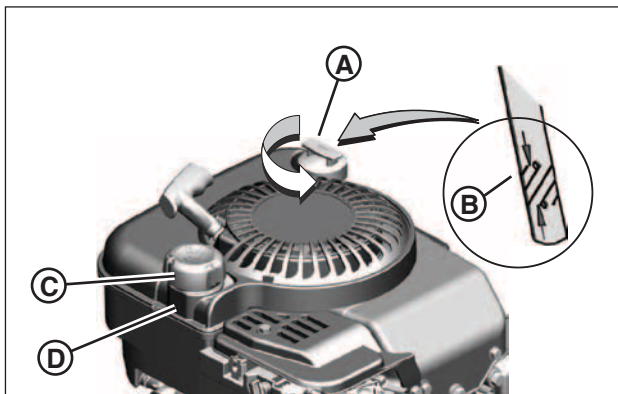


Figure 5: Oil and fuel fill

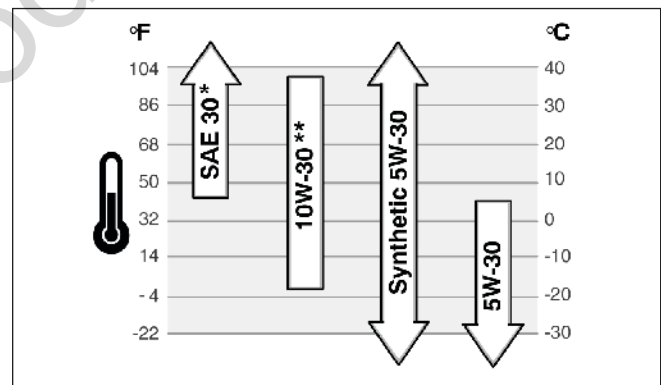
**IMPORTANT** Mower is shipped without oil in engine. Failure to add oil before starting will result in engine damage.

5. Add fuel to the tank:
  - Make sure the mower is outside, where fumes can safely dissipate.
  - Remove the fuel fill cap (**C, Figure 5**).
  - Fill the tank with fuel. Refer to the section entitled 'Fuel Recommendations'. To allow for expansion of the fuel, do not fill above the bottom of the filler neck (**D**).
  - Reinstall the fuel fill cap.
6. Clean the exterior surfaces of the cutting deck and engine of any accumulation of spilled fuel, dirt, grass, oil, etc. Keep the engine air intake screen and cooling fins clear at all times.
7. Charge the battery. Refer to the section entitled "Charging the Battery".

## Oil Recommendations

We recommend the use of Briggs & Stratton Warranty Certified oils for best performance. Other high-quality detergent oils are acceptable if classified for service SF, SG, SH, SJ or higher. Do not use special additives.

Outdoor temperatures determine the proper oil viscosity for the engine. Use the chart to select the best viscosity for the outdoor temperature range expected.



\* Below 40°F (4°C) the use of SAE 30 will result in hard starting.

\*\* Above 80°F (27°C) the use of 10W-30 may cause increased oil consumption. Check oil level more frequently.

## Fuel Recommendations

### Fuel must meet these requirements:

- Clean, fresh, unleaded gasoline with
- A minimum of 87 octane / 87AKI (90 RON).
- Gasoline with up to 10% ethanol (gasahol) or up to 15% MTBE (methyl tertiary butyl ether) is acceptable.
- **CAUTION:** DO NOT use unapproved gasoline, such as E85. Do not mix oil in gasoline or modify the engine to run on alternative fuels. This will damage the engine components and **void the engine warranty.**

The engine on this equipment is certified to operate on gasoline. The emissions control system for this engine is EM (Engine Modifications).

### High Altitude

At altitudes over 5,000 feet (1524 meters), a minimum 85 octane/85 AKI (89 RON) gasoline is acceptable. To remain emissions compliant, high altitude adjustment is required. Operation without this adjustment will cause decreased performance, increased fuel consumption, and increased emissions. Operation of the engine at altitudes below 2,500 feet (762 meters) with the high altitude kit is not recommended.

## Starting the Mower

The engine on this mower is equipped with a ReadyStart® system, which features a temperature-controlled automatic choke. It does not have a manual choke or a primer.

1. Squeeze and hold the blade control (**A, Figure 6**) against the handle.
2. Pull the rope start handle (**B**) to start the engine.
- 7800887 - Insert the key into the ignition switch (**C**). Turn the key to start the engine.
3. To stop the engine (and blade), release the blade control.
4. After the engine starts, allow a brief warm-up until the engine runs smooth before beginning mower operation.

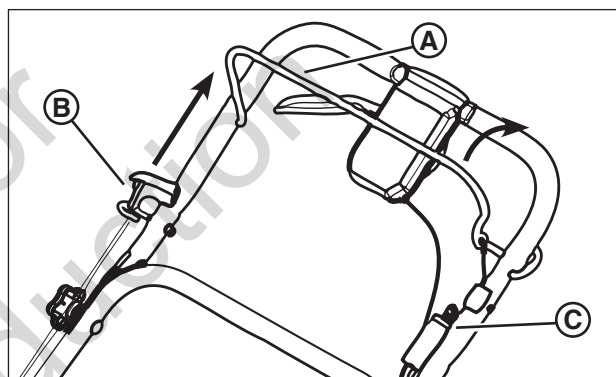


Figure 6: Starting the mower

## Propelling the Mower

1. Start the engine.
2. Begin squeezing the drive control (**A, Figure 7**) back toward the handle to engage the wheel drive and propel the mower forward. Forward speed can be increased by squeezing the drive control further back toward the handle.

**IMPORTANT:** Upon initial use, the drive control may have to be adjusted. Refer to the section entitled “Drive Control Adjustment”.

## Stopping the Mower

1. Stop forward motion of the mower by releasing the drive control.
2. Stop the engine and blade by releasing the blade control.
3. 7800887 - Remove the key from the ignition switch.

## Operation

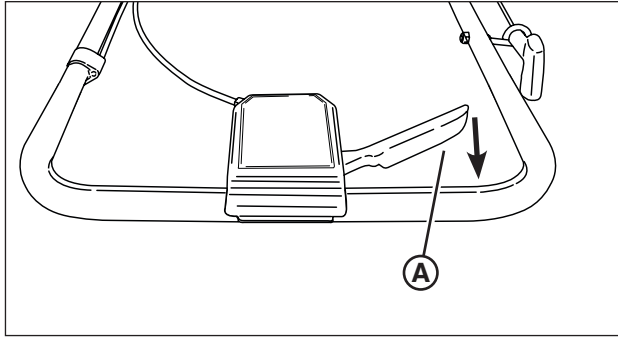


Figure 7: Propelling the mower

## Handle Height Adjustment

**⚠ WARNING ⚠**  
DO NOT attempt any maintenance, adjustments or service with engine and blade running. STOP engine and blade. Remove starter insert. Disconnect spark plug wire and secure away from spark plug. Engine and components are HOT. Avoid serious burns, allow sufficient time for all components to cool.

For greater operator comfort, the height of the mower handle can be adjusted.

1. Remove the handle knobs, washers and carriage bolts from the lower handle (**A**, **Figure 8**).

**NOTE:** Do not remove the lower set of handle hardware (**C**).

2. Align the handle assembly with one of the three handle height adjustment holes (**B**).
3. Replace the hardware removed in Step 1, tightening securely.

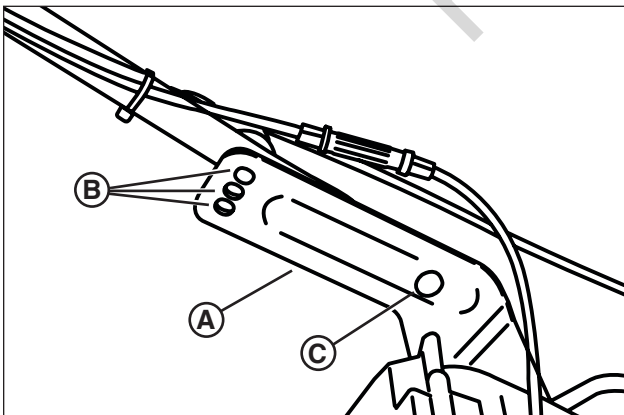


Figure 8: Adjusting the handle height

## Cutting Height Adjustment

**⚠ WARNING ⚠**  
DO NOT attempt any maintenance, adjustments or service with engine and blade running. STOP engine and blade. Remove starter insert. Disconnect spark plug wire and secure away from spark plug. Engine and components are HOT. Avoid serious burns, allow sufficient time for all components to cool.

Pull the cutting height adjust lever (**A**, **Figure 9**) outward, and move to the desired cutting height. The highest cutting position is Notch 9, and the lowest cutting position is Notch 1 (**Figure 10**). The lever will set all wheels to the same cutting height.

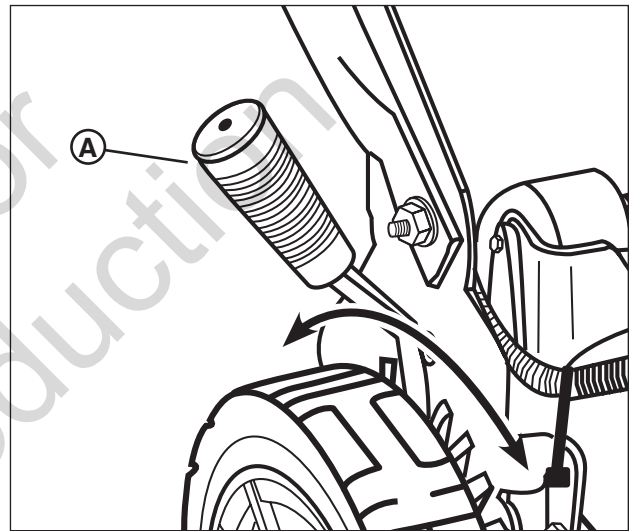


Figure 9: Adjusting cutting height

## Mulching Operation

For best mulching results, cut up to a maximum of 1/3 of grass length and recycle **ONLY** when grass is dry.

1. Make sure the discharge deflector and grass bag are removed, and the mulching plug is installed.
2. Set the cutting height adjust lever in the highest cutting position (Notch 9).
3. Proceed mowing slowly. Gradually lower the cutting height to obtain the best combination of cutting and mulching performance. Cutting too much grass in one pass, or cutting wet heavy grass may cause clumping or plugging of the mower deck.

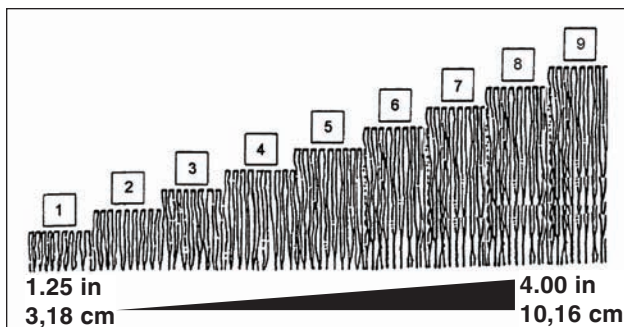


Figure 10: Cutting height settings (approximate)

## Installing the Discharge Deflector

**WARNING**  
DO NOT attempt any maintenance, adjustments or service with engine and blade running. STOP engine and blade. Remove starter insert. Disconnect spark plug wire and secure away from spark plug. Engine and components are HOT. Avoid serious burns, allow sufficient time for all components to cool.

1. Raise the mulching cover (**A**, **Figure 11**).
2. Install the deflector (**B**) to the deck under the mulching cover, making sure that the locking tabs on the deck (**C**) go through the slots in the deflector (**B**).
3. Lower the mulching cover against the deflector.

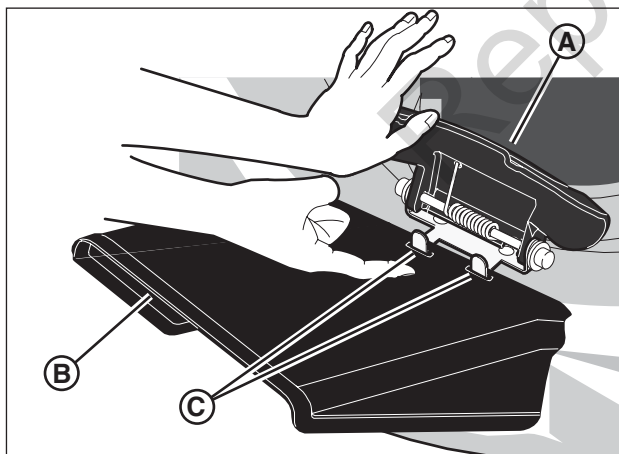


Figure 11: Installing the discharge deflector

## Installing the Grass Bag

**WARNING**  
DO NOT attempt any maintenance, adjustments or service with engine and blade running. STOP engine and blade. Remove starter insert. Disconnect spark plug wire and secure away from spark plug. Engine and components are HOT. Avoid serious burns, allow sufficient time for all components to cool.

**Important:** The mulching plug must be removed only when bagging is desired, and must be replaced as soon as bagging operations are completed.

1. Raise the rear discharge door (**A**, **Figure 12**).
2. Remove the mulching plug (**B**) from the rear discharge chute.

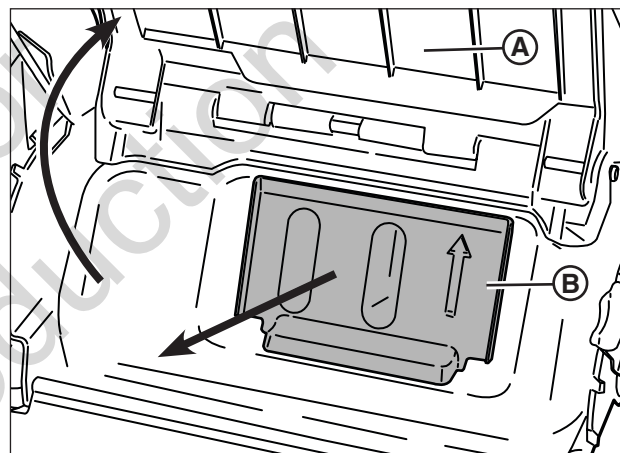


Figure 12: Removing the mulching plug

3. Holding the grass bag handle (**A**, **Figure 13**), install the grass bag onto the mower, making sure that the grass bag hooks (**B**) are hooked onto the rear door pivot rod (**C**).

## Operation

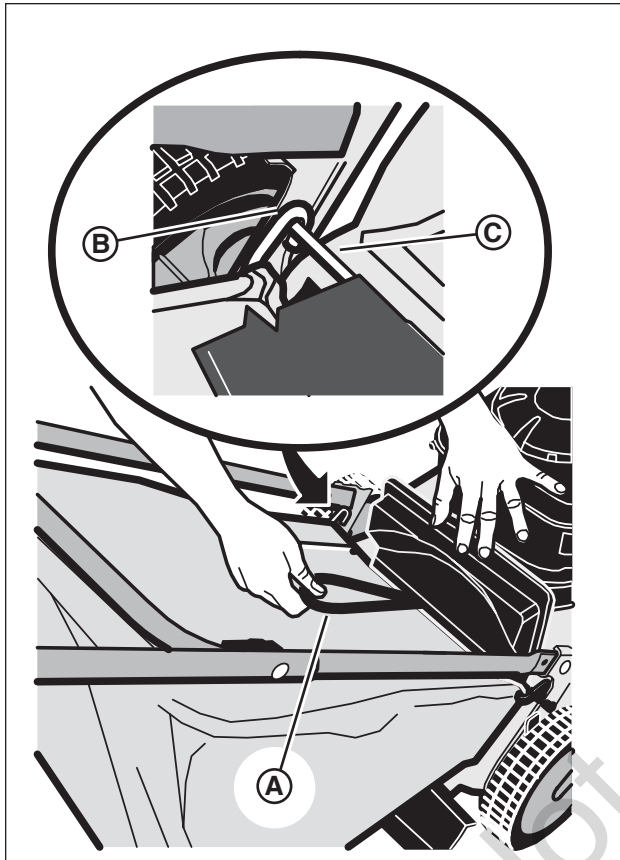


Figure 13: Installing the grass bag



### WARNING



Grass Catcher bags are made of woven fabric, and are subject to deterioration and wear during normal usage. Check condition of bag before each use. Immediately replace worn or damaged catcher bags with only bags recommended by the manufacturer. The grass catcher is optional equipment on some models.

## Charging the Battery (7800887)

The battery in this mower is sealed and maintenance free, and requires no service other than charging. If the battery will not accept a charge, bring the mower to an authorized service center for service.

1. Connect the battery charger to the battery connector (**A, Figure 14**), and plug the charger into a 120-volt outlet for 12-24 hours. (Longer periods will not damage the battery.)
2. Remove the charger from the battery connector, and connect the battery connector to the engine harness connector (**B**).

**Important:** Use only the charger supplied with the mower to charge the battery. Using a different charger may damage the battery and/or mower.

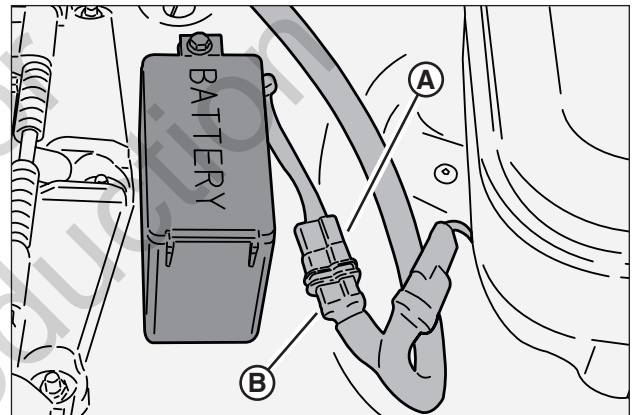


Figure 14: Charging the battery



### WARNING



Keep all sparks, flame and fire away from area when charging the battery. Never use "BOOST" chargers on the battery.



## Maintenance Chart



### WARNING



DO NOT attempt any maintenance, adjustments or service with engine and blade running. STOP engine and blade. Remove the starter insert. Disconnect spark plug wire and secure away from spark plug. Engine and components are HOT. Avoid serious burns, allow sufficient time for all components to cool. Wear heavy leather gloves when handling or working around cutting blades. Blades are extremely sharp and can cause severe injury.

MOWER
<b>Every 8 Hours or Daily</b>
Check safety interlock system
Clean debris off mower
<b>Every 25 Hours or Annually *</b>
Check mower for loose hardware
<b>See Dealer Annually to</b>
Lubricate mower
Check mower blade **
Check mower blade stopping time
Check drive belt
Clean battery and cables

\* Whichever comes first

\*\*Check blade more often in regions with sandy soils or high dust conditions.

### Emissions Control

Maintenance, replacement, or repair of the emissions control devices and systems may be performed by any non-road engine repair establishment or individual. However, to obtain “no charge” emissions control service, the work must be performed by a factory authorized dealer. See the Emissions Warranty.

ENGINE
<b>First 5 Hours</b>
Change engine oil
<b>Every 8 Hours or Daily</b>
Check engine oil level
<b>Every 25 Hours or Annually *</b>
Clean engine air filter and pre-cleaner (if equipped) **
<b>Every 50 Hours or Annually *</b>
Change engine oil
Replace oil filter (if equipped)
<b>Annually</b>
Replace air filter
Replace pre-cleaner (if equipped)
<b>See Dealer Annually to</b>
Inspect muffler and spark arrester (if equipped)
Replace spark plug
Replace fuel filter (if equipped)
Clean engine air cooling system

\* Whichever comes first

\*\*Clean more often in dusty conditions or when airborne debris is present.

# Maintenance

## Change Engine Oil



### WARNING



DO NOT attempt any maintenance, adjustments or service with engine and blade running. STOP engine and blade. Remove starter insert. Disconnect spark plug wire and secure away from spark plug. Engine and components are HOT. Avoid serious burns, allow sufficient time for all components to cool.

1. Drain the fuel tank completely.
2. Remove the dipstick (**A, Figure 15**), then turn the mower on its side. Allow the oil to drain from the oil fill tube into an appropriate container. Dispose of used oil properly.
3. Place the mower upright, then fill the engine with engine oil to the 'full' mark on the dipstick. Refer to the section entitled 'Oil Recommendations'. **Do not overfill.**

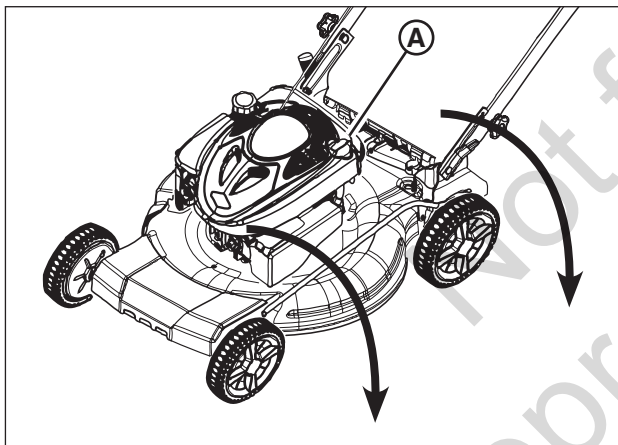


Figure 15: Draining the engine oil

## Service Air Filter



### WARNING



Never start or run the engine with the air cleaner assembly (if equipped) or the air filter (if equipped) removed.

**NOTE:** Do not use pressurized air or solvents to clean the filter. Pressurized air can damage the filter and solvents will dissolve the filter.

1. Loosen the fastener (**A, Figure 16**) that holds the cover (**B**).
2. Open the cover and remove the pre-cleaner (**C**) and the filter (**D**).
3. To loosen debris, gently tap the filter on a hard surface. If the filter is excessively dirty, replace with a new filter.
4. Wash the pre-cleaner in liquid detergent and water. Then allow it to thoroughly air dry. Do not oil the pre-cleaner.
5. Assemble the dry pre-cleaner to the filter with the lip (**E**) of the pre-cleaner on the bottom of the filter pleats.
6. Install the filter.
7. Install the cover tabs (**F**) into the slots (**G**).
8. Close the cover and secure with the fastener.

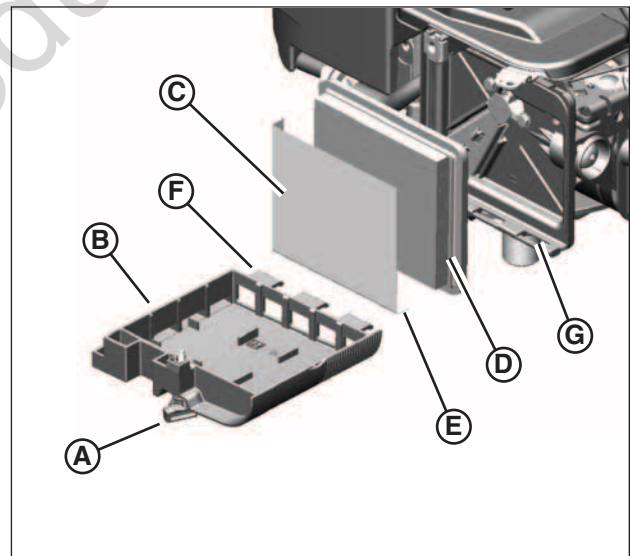


Figure 16: Air filter and pre-cleaner

## Check Safety Interlock System

1. Start the mower.
2. Release the blade control. **The engine must stop within 3 seconds.**

If the engine does not stop within 3 seconds, **do not use the mower**. Bring the mower to an authorized dealer for service.

## Clean Debris Off Mower



### WARNING



DO NOT attempt any maintenance, adjustments or service with engine and blade running. STOP engine and blade. Remove starter insert. Disconnect spark plug wire and secure away from spark plug. Engine and components are HOT. Avoid serious burns, allow sufficient time for all components to cool. Wear heavy leather gloves when handling or working around cutting blades. Blades are extremely sharp and can cause severe injury.

1. Clean dirt and debris from the top of the mower deck.
2. Clean any debris buildup on or around the engine, etc.

While cleaning, check components for wear or damage. Replace worn or damaged components immediately.

## Washout Port



### WARNING



- Use appropriate eye protection.
- Keep people and pets out of the area.
- Stay behind the handle while the engine is running.
- Do not attempt mowing operations while using the washout port.
- Do not attempt to look under or reach under the mower deck for any reason while using the washout port. Serious injury can result.

The washout port allows hands-free cleaning of the underside of the mower deck. To use the washout port:

1. Be sure the grass bag and side discharge deflector are removed.
2. Set the height of cut to the lowest position.
3. Move the mower to a level, paved surface.
4. Stop the engine.
5. Connect the male end of a standard garden hose to the washout port connector (**A, Figure 17**).
6. Turn on the water supply to the garden hose.
7. Start the engine and run until no more debris emerges from under the mower deck.
8. Stop the engine.

9. Turn off the water supply to the garden hose.
10. Disconnect the garden hose from the washout port connector.
11. Start the engine and run for 2-3 minutes, to allow the underside of the mower deck to dry.

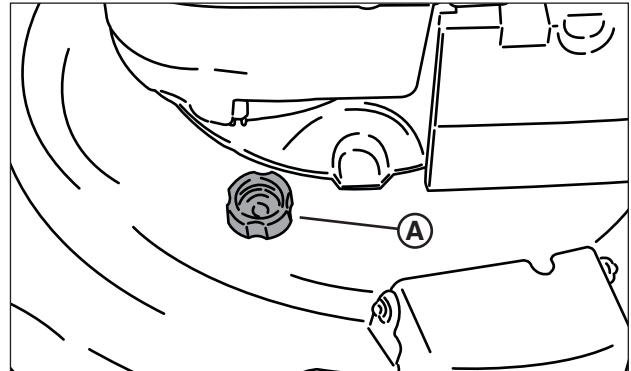


Figure 17: Washout port

# Maintenance

## Drive Control Adjustment

**⚠ WARNING ⚠**  
DO NOT attempt any maintenance, adjustments or service with engine and blade running. STOP engine and blade. Remove starter insert. Disconnect spark plug wire and secure away from spark plug. Engine and components are HOT. Avoid serious burns, allow sufficient time for all components to cool.

The wheel drive control lever (**A, Figure 18**) should engage the transmission when the lever is squeezed back toward the handlebar, and should disengage the transmission when the lever is released.

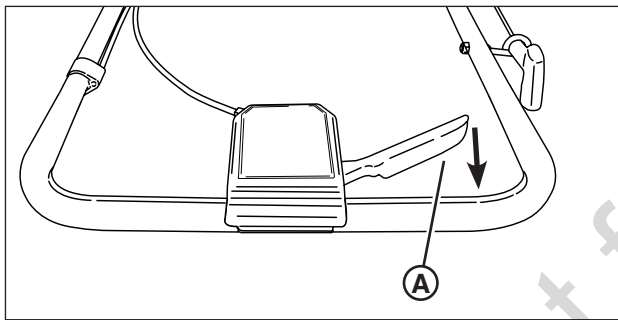


Figure 18: Drive control

If the transmission does not engage or disengage, adjustment may be performed as follows:

- If the transmission does not engage, increase drive cable tension by loosening the jam nut (**C, Figure 19**) and rotating the turnbuckle (**A**) counter-clockwise one-half turn to move the ferrules (**B**) out from the turnbuckle. Tighten the jam nut against the turnbuckle. Check and repeat as needed.
- If the transmission does not disengage, decrease drive cable tension\* by loosening the jam nut and rotating the turnbuckle one-half turn clockwise to move the ferrules in toward the turnbuckle. Tighten the jam nut against the turnbuckle. Check and repeat as needed.

**NOTE:** Some models do not feature a jam nut.

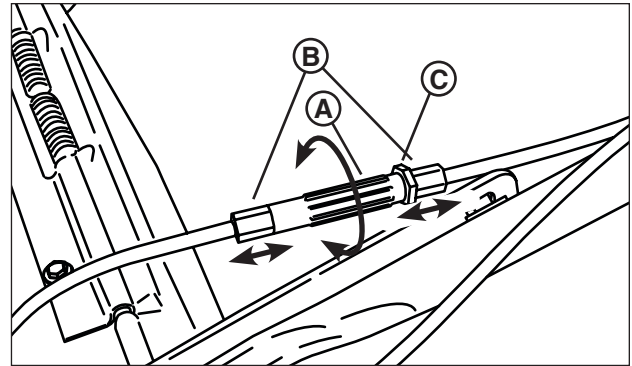


Figure 19: Adjusting the drive cable

**Caution:** Incorrect adjustment can cause premature wear and/or damage to the wheel drive components.

## Storage Procedure



### WARNING



DO NOT attempt any maintenance, adjustments or service with engine and blade running. STOP engine and blade. Remove starter insert. Disconnect spark plug wire and secure away from spark plug. Engine and components are HOT. Avoid serious burns, allow sufficient time for all components to cool. Wear heavy leather gloves when handling or working around cutting blades. Blades are extremely sharp and can cause severe injury.

Prepare the mower for “end of season” storage as follows:

1. Disconnect the spark plug wire and secure away from the spark plug.
2. Drain the fuel tank and let the engine run until all fuel is out of the carburetor.

**NOTE:** If using a fuel stabilizer, there is no need to drain the fuel tank. Refer to the section entitled ‘Fuel System’.

3. Use a brush or compressed air to remove loose debris, then use a damp cloth to wipe down the unit.
4. Tilt the mower up on its rear wheels and inspect the underside of the deck. (Do not tilt the mower with the spark plug or carburetor down.) Scrape away stubborn accumulation of grass with a putty knife and/or wire brush.
5. Lubricate all exposed metal with a light coating of oil to prevent corrosion.
6. Carefully fold the handles, flexing the control cables to prevent cable damage.
7. Store the mower in a shed or other dry area, protected from weather.

## Fuel System

Fuel can become stale when stored over 30 days. Stale fuel causes acid and gum deposits to form in the fuel system or on essential carburetor parts. To keep fuel fresh, use **Briggs & Stratton® Advanced Formula Fuel Treatment & Stabilizer**, available wherever Briggs & Stratton genuine service parts are sold.

For engines equipped with a FRESH START® fuel cap, use **Briggs & Stratton FRESH START®** available in a drip concentrate cartridge.

There is no need to drain gasoline from the engine if a fuel stabilizer is added according to instructions. Run the engine for 2 minutes to circulate the stabilizer throughout the fuel system before storage.

If gasoline in the engine has not been treated with a fuel stabilizer, it must be drained into an approved container. Run the engine until it stops from lack of fuel. The use of a fuel stabilizer in the storage container is recommended to maintain freshness.

# Troubleshooting

PROBLEM	PROBABLE CAUSE	CORRECTIVE ACTION
Engine Will Not Start	1. Fuel tank empty.	1. Fill fuel tank with fresh fuel.
	2. Spark plug wire disconnected.	2. Place spark plug wire onto spark plug.
	3. Wiring harness disconnected.	3. Connect wiring harness.
	4. Battery dead.	4. Charge or replace battery.
Engine Stalls or Loses Power After Running	1. Blade control is released or is not being held securely against handle.	1. Blade control should be held securely against handle at all times during operation.
	2. Fuel tank empty.	2. Fill with fuel to proper level.
	3. Engine pre-cleaner and/or air cleaner dirty.	3. Clean or replace precleaner and/or air cleaner.
	4. Spark plug fouled or gap set improperly.	4. Service spark plug.
	5. Water, debris or stale fuel in fuel system.	5. Drain and clean fuel system.
Excessive Vibration	1. Damaged, out of balance or bent mower blade.	1. Contact authorized dealer.
	2. Loose blade components.	2. Contact authorized dealer.
	3. Loose or missing air lift (if equipped).	3. Contact authorized dealer.
	4. Lumpy or frayed belt.	4. Contact authorized dealer.
Mower Will Not Move/ Loss Of Traction	1. Build-up of debris on or around drive components.	1. Clean debris.
	2. Transmission cable adjustment required.	2. Adjust transmission cable.
	3. Drive belt requires replacement.	3. Contact authorized dealer.
	4. Damaged transmission.	4. Contact authorized dealer.
Cutting Grass Improperly	1. Cutting height too low or high.	1. Adjust cutting height.
	2. Forward speed too fast.	2. Adjust to a slower speed.
	3. Cutting blade dull or damaged.	3. Contact authorized dealer.
Poor Grass Discharge	1. Forward speed too fast.	1. Adjust to a slower speed.
	2. Grass is wet.	2. Mow when grass is dry.
	3. Excessively worn or damaged blade.	3. Contact authorized dealer.
	4. Build up of grass clippings and debris under deck.	4. Clean deck.
	5. Improper blade installed on deck.	5. Contact authorized dealer.
	6. Blade installed improperly on deck.	6. Contact authorized dealer.
Oil Leaking	1. Loose dipstick.	1. Make sure dipstick/oil filler cap is securely in place.
	2. Loose drain plug.	2. Check and tighten drain plug.
	3. Oil level is overfilled.	3. Drain excess oil.
	4. Damaged oil seals.	4. Contact authorized dealer.

## BRIGGS & STRATTON POWER PRODUCTS GROUP, L.L.C. OWNER WARRANTY POLICY

### LIMITED WARRANTY

Briggs & Stratton Power Products Group, LLC will repair and/or replace, free of charge, any part(s) of the equipment that is defective in material or workmanship or both. Briggs & Stratton Corporation will repair and/or replace, free of charge, any part(s) of the Briggs and Stratton engine\* (if equipped) that is defective in material or workmanship or both. Transportation charges on product submitted for repair or replacement under this warranty must be borne by purchaser. This warranty is effective for the time periods and subject to the conditions stated below. For warranty service, find the nearest Authorized Service Dealer using our dealer locator at [www.BriggsandStratton.com](http://www.BriggsandStratton.com) or [www.Brutepower.com](http://www.Brutepower.com).

There is no other express warranty. Implied warranties, including those of merchantability and fitness for a particular purpose, are limited to one year from purchase or to the extent permitted by law. Liability for incidental or consequential damages are excluded to the extent exclusion is permitted by law.

Some states or countries do not allow limitations on how long an implied warranty lasts, and some states or countries do not allow the exclusion or limitation of incidental or consequential damages, so the above limitation and exclusion may not apply to you. This warranty gives you specific legal rights and you may also have other rights which vary from state to state or country to country.

### WARRANTY PERIOD

Item	Consumer Use	Commercial Use:
Equipment	2 Years	90 Days
Engine*	2 Years	90 Days
Battery	1 Year	1 Year

The warranty period begins on the date of purchase by the first retail consumer or commercial end user, and continues for the period of time stated above. "Consumer use" means personal residential household use by a retail consumer. "Commercial use" means all other uses, including use for commercial, income producing or rental purposes. Once product has experienced commercial use, it shall thereafter be considered as commercial use for purposes of this warranty.

No warranty registration is necessary to obtain warranty on Briggs & Stratton products. Save your proof of purchase receipt. If you do not provide proof of the initial purchase date at the time warranty service is requested, the manufacturing date of the product will be used to determine warranty eligibility.

### ABOUT YOUR WARRANTY

We welcome warranty repair and apologize to you for being inconvenienced. Warranty service is available only through servicing dealers authorized by Briggs & Stratton or BSPPG, LLC.

Most warranty repairs are handled routinely, but sometimes requests for warranty service may not be appropriate. This warranty only covers defects in materials or workmanship. It does not cover damage caused by improper use or abuse, improper maintenance or repair, normal wear and tear, or stale or unapproved fuel.

**Improper Use and Abuse** - The proper, intended use of this product is described in the Operator's Manual. Using the product in a way not described in the Operator's Manual or using the product after it has been damaged will void your warranty. Warranty is not allowed if the serial number on the product has been removed or the product has been altered or modified in any way, or if the product has evidence of abuse such as impact damage, or water/chemical corrosion damage.

**Improper Maintenance or Repair** - This product must be maintained according to the procedures and schedules provided in the Operator's Manual, and serviced or repaired using genuine Briggs & Stratton parts. Damage caused by lack of maintenance or use of non-original parts is not covered by warranty.

**Normal Wear** - Like all mechanical devices, your unit is subject to wear even when properly maintained. This warranty does not cover repairs when normal use has exhausted the life of a part or the equipment. Maintenance and wear items such as filters, belts, cutting blades, and brake pads (engine brake pads are covered) are not covered by warranty due to wear characteristics alone, unless the cause is due to defects in material or workmanship.

**Stale Fuel** - In order to function correctly, this product requires fresh fuel that conforms to the criteria specified in the Operator's Manual. Damage caused by stale fuel (carburetor leaks, clogged fuel tubes, sticking valves, etc) is not covered by warranty.

\* Applies to Briggs and Stratton engines only. Warranty coverage of non-Briggs and Stratton engines is provided by the engine manufacturer.

# Warranties

## California, U.S. EPA, and Briggs & Stratton Corporation Emissions Control Warranty Statement Your Warranty Rights And Obligations

April 2011

The California Air Resources Board, U.S. EPA, and Briggs & Stratton (B&S) are pleased to explain the emissions control system warranty on your Model Year 2011-2012 engine/equipment. In California, new small off-road engines and large spark ignited engines less than or equal to 1.0 liter must be designed, built, and equipped to meet the State's stringent anti-smog standards. B&S must warrant the emissions control system on your engine/equipment for the periods of time listed below provided there has been no abuse, neglect, or improper maintenance of your engine or equipment.

Your emissions control system may include parts such as the carburetor or fuel injection system, fuel tank, ignition system, and catalytic converter. Also included may be hoses, belts, connectors, sensors, and other emissions-related assemblies.

Where a warrantable condition exists, B&S will repair your engine/equipment at no cost to you including diagnosis, parts, and labor.

### Manufacturer's Warranty Coverage:

Small off-road engines and large spark ignited engines less than or equal to 1.0 liter are warranted for two years. If any emissions-related part on your engine/equipment is defective, the part will be repaired or replaced by B&S.

### Owner's Warranty Responsibilities:

- As the engine/equipment owner, you are responsible for the performance of the required maintenance listed in your owner's manual. B&S recommends that you retain all receipts covering maintenance on your engine/equipment, but B&S cannot deny warranty solely for the lack of receipts or your failure to ensure the performance of all scheduled maintenance.
- As the engine/equipment owner, you should however be aware that B&S may deny you warranty coverage if your engine/equipment or a part has failed due to abuse, neglect, improper maintenance, or unapproved modifications.
- You are responsible for presenting your engine/equipment to a B&S distribution center, servicing dealer, or other equivalent entity, as applicable, as soon as a problem exists. The warranty repairs should be completed in a reasonable amount of time, not to exceed 30 days. If you have any questions regarding your warranty rights and responsibilities, you should contact B&S at (414) 259-5262.

## Briggs & Stratton Emissions Control Warranty Provisions

The following are specific provisions relative to your Emissions Control Warranty Coverage. It is in addition to the B&S engine warranty for non-regulated engines found in the Operator's Manual.

### 1. Warranted Emissions Parts

Coverage under this warranty extends only to the parts listed below (the emissions control systems parts) to the extent these parts were present on the B&S engine and/or B&S supplied fuel system.

- Fuel Metering System**
  - Cold start enrichment system (soft choke)
  - Carburetor and internal parts
  - Fuel pump
  - Fuel line, fuel line fittings, clamps
  - Fuel tank, cap and tether
  - Carbon canister
- Air Induction System**
  - Air cleaner
  - Intake manifold
  - Purge and vent line
- Ignition System**
  - Spark plug(s)
  - Magneto ignition system
- Catalyst System**
  - Catalytic converter
  - Exhaust manifold
  - Air injection system or pulse valve
- Miscellaneous Items Used in Above Systems**
  - Vacuum, temperature, position, time sensitive valves and switches
  - Connectors and assemblies

### 2. Length of Coverage

For a period of two years from date of original purchase, B&S warrants to the original purchaser and each subsequent purchaser that the engine is designed, built, and equipped so as to conform with all applicable regulations adopted by the Air Resources Board; that it is free from defects in material and workmanship that could cause the failure of a warranted part; and that it is identical in all material respects to the engine described in the manufacturer's application for certification. The warranty period begins on the date the engine is originally purchased.

The warranty on emissions-related parts is as follows:

- Any warranted part that is not scheduled for replacement as required maintenance in the owner's manual supplied, is warranted for the warranty period stated above. If any such part fails during the period of warranty coverage, the part will be repaired or replaced by B&S at no charge to the owner. Any such part repaired or replaced under the warranty will be warranted for the remaining warranty period.
- Any warranted part that is scheduled only for regular inspection in the owner's manual supplied, is warranted for the warranty period stated above. Any such part repaired or replaced under warranty will be warranted for the remaining warranty period.
- Any warranted part that is scheduled for replacement as required maintenance in the owner's manual supplied, is warranted for the period of time prior to the first scheduled replacement point for that part. If the part fails prior to the first scheduled replacement, the part will be repaired or replaced by B&S at no charge to the owner. Any such part repaired or replaced under warranty will be warranted for the remainder of the period prior to the first scheduled replacement point for the part.
- Add on or modified parts that are not exempted by the Air Resources Board may not be used. The use of any non exempted add on or modified parts by the owner will be grounds for disallowing a warranty claim. The manufacturer will not be liable to warrant failures of warranted parts caused by the use of a non exempted add on or modified part.

### 3. Consequential Coverage

Coverage shall extend to the failure of any engine components caused by the failure of any warranted emissions parts.

### 4. Claims and Coverage Exclusions

Warranty claims shall be filed according to the provisions of the B&S engine warranty policy. Warranty coverage does not apply to failures of emissions parts that are not original equipment B&S parts or to parts that fail due to abuse, neglect, or improper maintenance as set forth in the B&S engine warranty policy. B&S is not liable for warranty coverage of failures of emissions parts caused by the use of add-on or modified parts.

## Look For Relevant Emissions Durability Period and Air Index Information On Your Small Off-Road Engine Emissions Label

Engines that are certified to meet the California Air Resources Board (CARB) small off-road Emissions Standard must display information regarding the Emissions Durability Period and the Air Index. Briggs & Stratton makes this information available to the consumer on our emissions labels. The engine emissions label will indicate certification information.

The **Emissions Durability Period** describes the number of hours of actual running time for which the engine is certified to be emissions compliant, assuming proper maintenance in accordance with the Operating & Maintenance Instructions. The following categories are used:

#### Moderate:

Engine is certified to be emissions compliant for 125 hours of actual engine running time.

#### Intermediate:

Engine is certified to be emissions compliant for 250 hours of actual engine running time.

#### Extended:

Engine is certified to be emissions compliant for 500 hours of actual engine running time. For example, a typical walk-behind lawn mower is used 20 to 25 hours per year.

Therefore, the **Emissions Durability Period** of an engine with an **intermediate** rating would equate to 10 to 12 years.

Briggs & Stratton engines are certified to meet the United States Environmental Protection Agency (USEPA) Phase 2 or Phase 3 emissions standards. The Emissions Compliance Period referred to on the Emissions Compliance label indicates the number of operating hours for which the engine has been shown to meet Federal emissions requirements.

For engines less than 225 cc displacement.

Category C = 125 hours, Category B = 250 hours, Category A = 500 hours

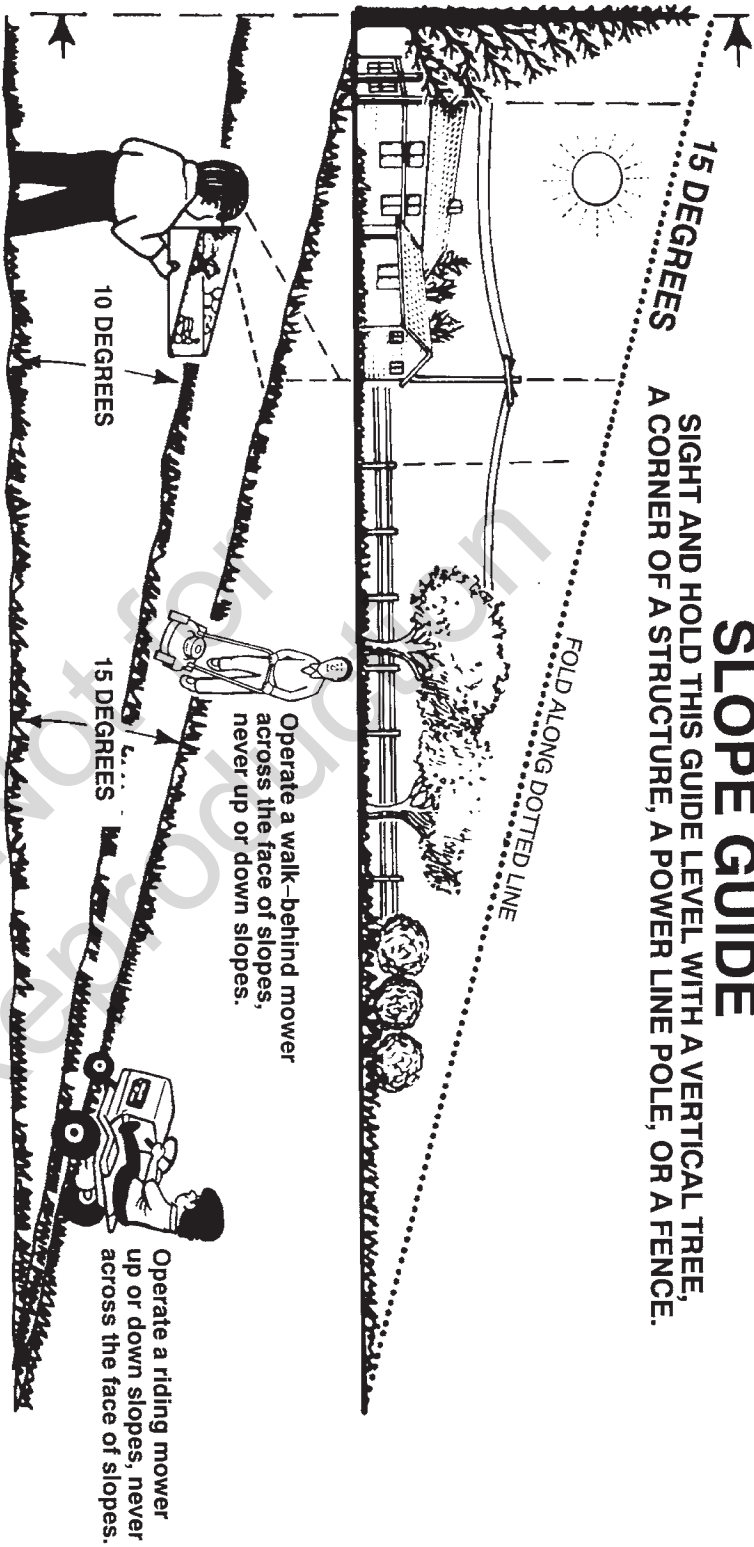
For engines of 225 cc or more displacement.

Category C = 250 hours, Category B = 500 hours, Category A = 1000 hours



# SLOPE GUIDE

SIGHT AND HOLD THIS GUIDE LEVEL WITH A VERTICAL TREE, A CORNER OF A STRUCTURE, A POWER LINE POLE, OR A FENCE.



On a riding mower to determine if a slope is safe to mow: (1) disengage the blade(s), (2) put the unit in reverse, and (3) try to back straight up the slope. If you can back up the slope, it is generally safe to mow. However, if you do not feel safe, or if you are not completely sure, use this guide and do not mow a slope that is greater than 15 degrees. If the riding mower is used with a pull-behind or rear mounted attachment, do not operate the unit on a slope that is greater than 10 degrees.

A 15 degree slope is a hill that increases in height at approximately 2.5 feet in 10 feet.  
 A 10 degree slope is a hill that increases in height at approximately 1.7 feet in 10 feet.



Use extreme care at all times, and avoid sudden turns or maneuvers. Follow other instructions in this manual for safety in mowing on slopes. Operate a riding mower up or down slopes, never across the face of slopes. Operate a walk-behind mower across the face of slopes, never up or down slopes. Use extra care when operating on or near slopes and obstructions.



# BRUTE™ by



## Specifications (All)

### Mower

Deck Size (in / cm)	22 / 56
Height of Cut (in / cm)	1.25 - 4.00 / 3,18 - 10,16
Transmission Type	Variable Speed/Gear
Ground Speed (mph / kph)	0 - 4 / 0 - 6,4
Blade Torque (lb-ft / N.m.)	40 / 54

### Engine

Gross Engine Power * (lb-ft)	7.25
Engine Displacement (cc)	190
Fuel Tank Capacity (qt / l)	1.0 / 0,95
Oil Capacity (oz / l)	18 - 20 / 0,54 - 0,59
Spark Plug Gap (in / mm)	0.020 / 0,50
Spark Plug Torque (lb-in / N.m.)	180 / 20

**\* Power Ratings:** The gross power rating for individual gas engine models is labeled in accordance with SAE (Society of Automotive Engineers) code J1940 (Small Engine Power & Torque Rating Procedure), and rating performance has been obtained and corrected in accordance with SAE J1995 (Revision 2002-05). Torque values are derived at 3060 RPM; horsepower values are derived at 3600 RPM. The gross power curves can be viewed at [www.BRIGGSandSTRATTON.COM](http://www.BRIGGSandSTRATTON.COM). Net power values are taken with exhaust and air cleaner installed whereas gross power values are collected without these attachments. Actual gross engine power will be higher than net engine power and is affected by, among other things, ambient operating conditions and engine-to-engine variability. Given the wide array of products on which engines are placed, the gas engine may not develop the rated gross power when used in a given piece of power equipment. This difference is due to a variety of factors including, but not limited to, the variety of engine components (air cleaner, exhaust, charging, cooling, carburetor, fuel pump, etc.), application limitations, ambient operating conditions (temperature, humidity, altitude), and engine-to-engine variability. Due to manufacturing and capacity limitations, Briggs & Stratton may substitute an engine of higher rated power for this Series engine.



# BRUTE™ by

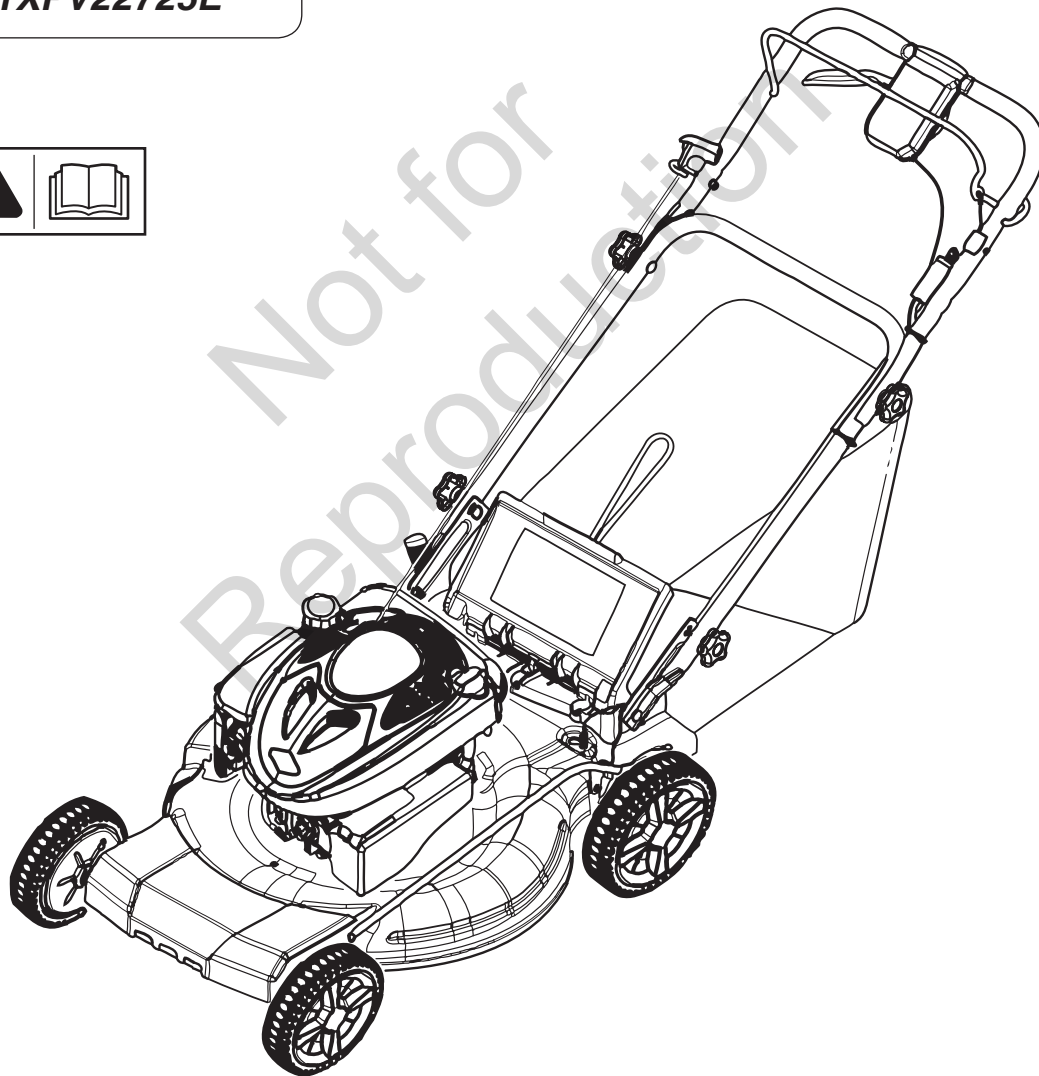


## *Manual del operador*

***Nº de modelo Descripción***

***7800886 BTPV22725***

***7800887 BTPV22725E***



**Gracias** por haber adquirido este cortacésped Brute de alta calidad. Le agradecemos la confianza que Vd. ha depositado en la marca Brute. Si se maneja y se realiza el mantenimiento adecuado, tal y como se indica en este manual; su cortacésped Brute le proporcionará años de funcionamiento fiable.

**Este manual contiene** información de seguridad para avisarle de los peligros y riesgos asociados a esta máquina y cómo puede prevenirlos. Esta máquina ha sido diseñada y se debe utilizar solamente para realizar el acabado final del corte de césped asentado y no para ningún otro propósito. Es importante que lea y entienda estas instrucciones con detenimiento antes de arrancar o poner en funcionamiento este equipo. **Guarde estas instrucciones para consultarlas en el futuro.**

Fecha de compra \_\_\_\_\_

Vendedor \_\_\_\_\_

Número de teléfono del vendedor minorista \_\_\_\_\_

Equipo

Número de modelo \_\_\_\_\_

Número de serie \_\_\_\_\_

Motor

Modelo \_\_\_\_\_ Tipo \_\_\_\_\_ Código \_\_\_\_\_

Not for  
Reproduction

# Índice

<b>Seguridad del usuario</b> .....	<b>4</b>
<b>Características y controles</b> .....	<b>10</b>
<b>Montaje</b> .....	<b>11</b>
<b>Funcionamiento</b> .....	<b>12</b>
Antes de empezar .....	12
Encendido del cortacésped .....	13
Propulsión del cortacésped .....	13
Detención del cortacésped .....	13
Ajuste de altura del mango .....	14
Ajuste de altura de corte .....	14
Funcionamiento de la desmenuzadora .....	14
Instalación del deflector de descarga .....	14
Instalación de la bolsa de césped .....	15
Carga de la batería .....	16
<b>Mantenimiento</b> .....	<b>17</b>
Tabla de mantenimiento .....	17
Cambio del aceite del motor .....	18
Mantenimiento del filtro de aire .....	18
Revisar el sistema de bloqueo de seguridad .....	19
Limpieza de los desechos del cortacésped .....	19
Ajuste del control de la transmisión .....	20
Procedimiento de almacenamiento .....	21
<b>Solución de problemas</b> .....	<b>22</b>
<b>Garantías</b> .....	<b>23</b>
<b>Sensor de Inclinación</b> .....	<b>25</b>



## ADVERTENCIA



Constituye una infracción del artículo 4442 del California Public Resource Code utilizar u operar el motor en la proximidades de terrenos boscosos o de rastrojo o que estén cubiertos de hierba a menos que el sistema de escape esté equipado con un dispositivo antichispas, tal y como se define en Sección 4442, que además se mantenga en un buen estado de funcionamiento. Otros estados o jurisdicciones federales pueden tener normas legales similares. Póngase en contacto con el fabricante original del equipo, el vendedor o el distribuidor para obtener un dispositivo antichispas para el sistema de escape instalado en este motor.



## ADVERTENCIA



Los bornes, las terminales de la batería y los accesorios de la misma contienen plomo y compuestos de plomo, productos químicos que el Estado de California reconoce que pueden causar cáncer, defectos de nacimiento y otras lesiones genéticas. Lávese las manos después de manejar la batería o sus accesorios.



## ADVERTENCIA



El tubo de escape del motor, algunos de sus componentes y ciertos componentes del vehículo contienen o emiten productos químicos que el Estado de California reconoce que pueden causar cáncer u otras lesiones genéticas.

# Seguridad del usuario



## Manejar el equipo con seguridad

Este equipo motorizado solamente es seguro dependiendo de cómo lo utilice el operador. Si se utiliza de manera incorrecta o si no se lleva a cabo un mantenimiento correcto, ¡puede ser peligroso! Recuerde que usted es el responsable de su seguridad y de la de aquellos que le rodean.

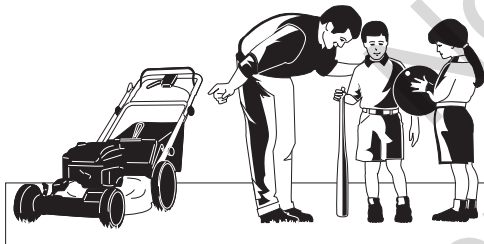
Utilice el sentido común, y piense con detenimiento lo que está haciendo. Si no está seguro de si la tarea que va a llevar a cabo se puede realizar con el equipo que ha adquirido de manera segura, solicite el consejo de un profesional: póngase en contacto con el distribuidor local autorizado.

## Lea el manual

El manual del usuario contiene información de seguridad importante que debe conocer ANTES de poner en funcionamiento su máquina y MIENTRAS trabaja con ella.

En él se incluyen técnicas de seguridad sobre el funcionamiento, una explicación de las características, funciones y mandos del producto e información sobre el mantenimiento para ayudarle a obtener el máximo rendimiento a su equipo.

Asegúrese de leer toda la Información y las normas de seguridad que aparecen en las siguientes páginas. También debe leer completamente la sección de funcionamiento.



## Niños

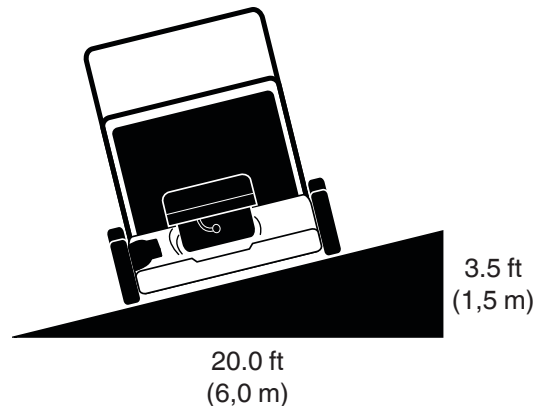
Pueden producirse accidentes graves con niños. No les permita estar cerca del área de trabajo. Por lo general los niños se sienten atraídos por la unidad y por la actividad de cortar el césped. Nunca dé por supuesto que los niños se quedarán en el lugar donde los vio por última vez. Si hay riesgo de que los niños puedan entrar en la zona en la que está cortando el césped, pida a otro adulto que los vigile.

## Funcionamiento en cuestas

Podría lesionarse gravemente o incluso matarse si utiliza esta unidad en cuestas demasiado pronunciadas. El uso de la unidad en una pendiente que sea demasiado pronunciada o donde no posea la tracción o el agarre adecuados puede hacer que pierda el control, patine o que vuelque.

No debe usar esta unidad en terrenos inclinados con una inclinación superior a los 10 grados, lo que equivale a 3,5 ft (1,5 m) de elevación sobre 20,0 ft (6,0 m). En pendientes, utilice siempre la máquina de manera horizontal, nunca de arriba hacia abajo o viceversa.

Recuerde que la superficie sobre la que corte el césped puede tener un enorme impacto sobre el control de la máquina. La hierba húmeda o las hojas pueden afectar gravemente al agarre y la tracción sobre una pendiente. Si no está seguro sobre cómo manejar la unidad en una pendiente, no lo haga. No vale la pena arriesgarse.

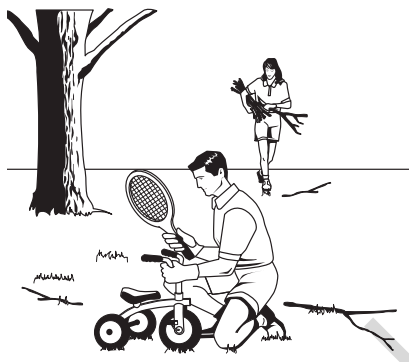
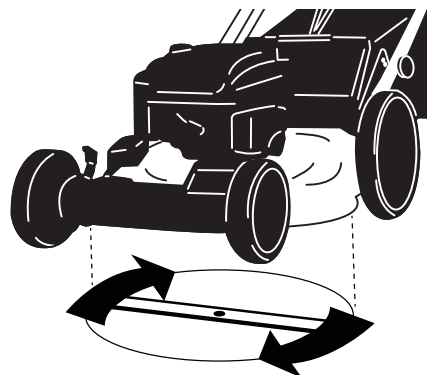


## Piezas móviles

Este equipo tiene piezas móviles que le pueden causar daños a usted o a otras personas. Sin embargo, si permanece de pie correctamente detrás del mango y sigue las instrucciones proporcionadas en este manual, esta unidad es segura.

La cubierta del cortacésped posee una cuchilla en movimiento que puede amputar manos y pies. No permita que nadie esté cerca del equipo mientras está en funcionamiento.

Para ayudarle a usted, el operario, a que utilice este equipo con seguridad, esta unidad está equipada con un sistema de seguridad que detecta la presencia del usuario. NO intente alterar ni modificar el sistema. Póngase en contacto con su distribuidor inmediatamente si el sistema no pasa todas las pruebas del sistema de interbloqueo de seguridad que aparecen en este manual.



## Objetos tirados

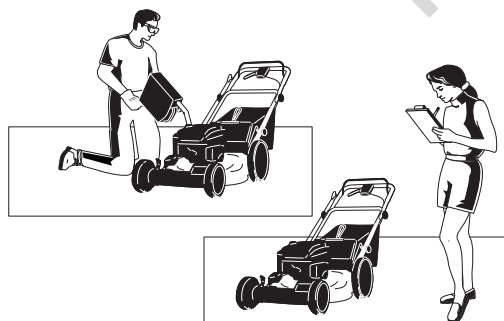
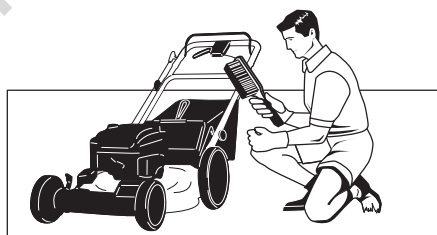
Esta unidad posee una cuchilla en movimiento. Esta cuchilla puede recoger y arrojar desechos que pueden lesionar gravemente a personas que se encuentren en la zona. Asegúrese de limpiar la zona que va a segar ANTES de comenzar.

No ponga en funcionamiento esta unidad sin haber instalado el recogedor de hierba o la protección posterior (deflector).

Asimismo, ¡no permita que nadie permanezca en la zona en la que está utilizando la máquina! Si alguien entrase en la zona, apague inmediatamente la unidad y espere a que se vaya.

## Acumulación de desechos

La acumulación de hierba y desechos puede ocasionar un incendio. Asegúrese de limpiar cualquier acumulación de hierba y desechos con un cepillo o aire comprimido antes o después del funcionamiento.



## Combustible y mantenimiento

La gasolina es extremadamente inflamable. Sus vapores también son extremadamente inflamables y pueden alcanzar fuentes de ignición lejanas. La gasolina solamente se puede utilizar como combustible, no como disolvente o limpiador. Nunca debe guardarse en un lugar en el que sus vapores pueden alcanzar una fuente de ignición como por ejemplo una luz piloto. El combustible debe permanecer en una lata de combustible sellada o en un recipiente de plástico aprobado, o en el depósito de combustible del tractor con la tapa bien cerrada. El combustible derramado debe limpiarse inmediatamente.

Un mantenimiento adecuado es importantísimo para la seguridad y rendimiento de su unidad. Asegúrese de realizar los procedimientos de mantenimiento que aparecen en este manual, en especial las comprobaciones regulares del sistema de seguridad.

# Seguridad del usuario



**WARNING:** Esta potente máquina cortacésped puede llegar a amputar manos y pies y puede lanzar objetos que pueden causar lesiones y daños. Si no sigue las siguientes instrucciones de SEGURIDAD, el operador u otras personas podrían sufrir lesiones graves o la muerte. El propietario de la máquina debe comprender estas instrucciones y solamente debe permitir que manejen la máquina aquellas personas que entiendan estas instrucciones. Toda persona que maneje la máquina deben estar en pleno uso de sus facultades físicas y mentales y no deben estar bajo la influencia de ninguna sustancia que pueda afectarles a la visión, destreza o razonamiento.

## PROTEJA A LOS NIÑOS

Pueden ocurrir accidentes trágicos si el operador no está atento a la presencia de niños. Los niños suelen sentirse atraídos por la máquina y por la actividad del cortacésped. Nunca dé por supuesto que los niños se quedarán en el lugar donde los vio por última vez.

1. MANTENGA a los niños fuera de la zona en la que va a cortar el césped y vigilados por un adulto que se responsabilice de ellos, aparte del usuario de la máquina.
2. NO PERMITE que los niños permanezcan en la zona cuando esté funcionando la máquina y DESCONÉCTELA si cualquier persona entra en la zona.
3. NO PERMITA que los niños con edad inferior a la debida utilicen la máquina.
4. PERMITA solamente que adultos responsables y adolescentes con la suficiente madurez y bajo la cercana supervisión de un adulto utilicen la máquina.
5. NO RETROCEDA con el cortacésped a menos que sea absolutamente necesario. COMPRUEBE que no haya ningún niño, mascota u objeto peligroso detrás o debajo de la máquina antes y durante la marcha atrás.
6. TENGA ESPECIAL CUIDADO al acercarse a esquinas ciegas, arbustos, árboles u otros objetos que puedan obstaculizar la visión.

## FUNCIONAMIENTO EN PENDIENTES

1. Las pendientes son un factor principal en los accidentes por deslizamientos caídas, que pueden resultar en graves lesiones. Las pendientes de toda clase exigen la mayor precaución. Si no se siente seguro sobre una pendiente, no utilice el cortacésped sobre ella.
2. En las pendientes, utilice el cortacésped a lo ancho, nunca de arriba a abajo. Tenga extremo cuidado cuando cambie de dirección en pendientes. NO UTILICE el cortacésped en pendientes pronunciado ni en otras zonas en que la estabilidad o la capacidad de tracción sean inciertas. Consulte la Guía para Pendientes que encontrará en la parte trasera de este manual.
3. Tenga especial cuidado con los recogedores de hierba u otros accesorios ya que afectan a la conducción y a la estabilidad de la máquina.

## PREPARACIÓN

1. Lea, entienda y siga las instrucciones y advertencias contenidas en este manual y sobre el cortacésped, el motor y los elementos adjuntos. Debe conocer los controles y la forma de utilización del cortacésped adecuada antes de empezar.
2. Solamente deberán manejar la máquina personas maduras y responsables y que hayan recibido la formación necesaria.
3. Los datos indican que los usuarios de 60 o más años tienen un porcentaje más alto de sufrir lesiones relacionadas con el uso de cortacésped. Estos usuarios deberán evaluar su capacidad de manejar la máquina con seguridad antes de utilizarla para protegerse a sí mismos y a los demás usuarios y evitar sufrir lesiones.
4. Manipule el combustible con cuidado. El combustible y sus vapores son extremadamente inflamables y explosivos. Utilice solamente un recipiente homologado para el combustible. NO retire la tapa del combustible ni añada combustible con el motor en funcionamiento.

## PREPARACIÓN

### (Continuación de la columna previa)

- Añada combustible únicamente en espacios exteriores y con el motor parado y frío. Limpie el combustible y aceite derramados sobre la máquina. NO fume.
5. Compruebe la zona en la que va a cortar el césped y retire todos los objetos como juguetes, cables, piedras, ramas y otros elementos que puedan causar lesiones si son lanzados por la cuchilla o interfieren con el funcionamiento del cortacésped. Tenga en cuenta también la ubicación de agujeros, troncos cortados y otros posibles peligros.
  6. Mantenga a personas y animales domésticos fuera de la zona de corte. DETENGA de forma inmediata la cuchilla, el motor y el cortacésped si cualquier persona entra en la zona.
  7. Compruebe con frecuencia el funcionamiento y la ubicación de protecciones, deflectores, interruptores, controles de la cuchilla y otros dispositivos de seguridad.
  8. Asegúrese de que todas las etiquetas de seguridad se lean con claridad. Sustitúyalas por otras si están dañadas.
  9. Protéjase cuando corte el césped y use gafas protectoras, pantalones largos y calzado consistente. NO CORTE el césped con los pies desnudos o con sandalias.
  10. Debe saber como DETENER la cuchilla y el motor con rapidez ante cualquier emergencia.
  11. Tenga especial cuidado cuando cargue o descargue la máquina de camiones o furgonetas.
  12. Compruebe con frecuencia los componentes del recogedor de hierba en busca de signos de desgaste o deterioro y repóngalos según sea necesario para evitar lesiones producidas por el lanzamiento de objetos a través de puntos débiles o desgarrados.

## MANIPULACIÓN SEGURA DE LA GASOLINA

- Para evitar lesiones personales o daños en la propiedad, tenga especial cuidado cuando manipule gasolina. La gasolina y sus vapores son extremadamente inflamables y explosivos.
1. Apague todos los cigarrillos, puros, pipas y cualquier otra fuente de ignición.
  2. Utilice solamente un recipiente homologado para el combustible.
  3. NO retire la tapa del combustible ni añada carburante con el motor en funcionamiento. Deje que el motor se enfríe antes de reponer el combustible.
  4. NO ponga carburante en la máquina en espacios interiores.
  5. NO almacene la máquina ni el recipiente de combustible en lugares en los que haya llamas, chispas o luces piloto como las de los calentadores de agua u otros dispositivos.
  6. NO llene recipientes de combustible en el interior de vehículos o sobre un camión o trailer con revestimientos de plástico. Siempre coloque los contenedores sobre el suelo, lejos del vehículo, antes de proceder a llenarlos.



## MANIPULACIÓN SEGURA DE LA GASOLINA

### (Continuación de la página anterior)

7. Retire del vehículo o camión el equipo a gasolina y échele el combustible cuando esté en el suelo. Si esto no fuese posible, reponga el carburante del equipo utilizando un contenedor portátil y no con boquillas dosificadoras de gasolina.
8. NO encienda equipos alimentados por gas dentro de vehículos o camiones cerrados.
9. Mantenga la boquilla en contacto con el borde de la boca del tanque o recipiente de combustible en todo momento y hasta haber completado el llenado. NO use un dispositivo con la boquilla abierta.
10. Si se derrama carburante sobre la ropa, cámbiese de inmediato.
11. NO llene demasiado el tanque de combustible. Vuelva a colocar la tapa del depósito y ajústela firmemente.

## FUNCIONAMIENTO

1. NO coloque las manos o pies cerca o debajo de piezas giratorias. Mantenga despejada la zona de descarga mientras el motor esté en marcha.
2. DETENGA el motor cuando atraviese zonas, paseos o caminos de grava o en cualquier situación en que puedan lanzarse objetos que constituyan un peligro.
3. Corte el césped sólo con luz de día o buena iluminación artificial.
4. NO utilice la unidad cuando se halle bajo los efectos del alcohol o de drogas.
5. Si golpea un objeto extraño o el cortacésped vibra de forma anormal, DETENGA el motor y desconecte y asegure el cable de la bujía. Inspeccione el cortacésped en busca de posibles daños y, si es el caso, repárelos antes de volver a arrancarlo.
6. NO utilice el cortacésped cerca de bajadas, zanjas o terraplenes. El operador podría dejar de hacer pie o perder el equilibrio.
7. MANTÉNGASE ALERTA por si hubiese agujeros u otros peligros ocultos. La hierba alta puede ocultar obstáculos. Manténgase lejos de cunetas, desniveles, alcantarillas, vallas y objetos que sobresalgan.
8. NO utilice el cortacésped sobre hierba húmeda. Siempre asegúrese de estar bien equilibrado. Agárrese con fuerza al mango y avance lentamente, sin correr. Perder el pie puede causar accidentes que produzcan lesiones.
9. Manténgase siempre detrás del mango cuando el motor esté en funcionamiento.
10. NO abandone la máquina con el motor en marcha. DETENGA LA CUCHILLA y PARE EL MOTOR antes de abandonar por cualquier razón el puesto de operador.
11. Antes de limpiar, reparar o inspeccionar, cerciórese de que se hayan DETENIDO el motor, la cuchilla y todas las partes móviles. Desconecte y asegure el cable de la bujía lejos del conector para evitar arranques accidentales.
12. DETENGA el motor y espere hasta que la cuchilla que completamente DETENIDA antes de retirar la bolsa de hierba y/o retirar la hierba.
13. NO haga funcionar el cortacésped sin que el recogedor de hierba, la protección posterior y los demás dispositivos de seguridad estén en su lugar y en funcionamiento. NO apunte la descarga hacia personas, coches que pasen, ventanas o puertas.

## FUNCIONAMIENTO

### (Continuación de la columna previa)

14. NO descargue materiales contra paredes u obstáculos. Los materiales puede rebotar hacia el usuario.
15. Reduzca la velocidad antes de girar.
16. Tenga cuidado con el tráfico al cruzar o pasar cerca de vías.
17. NO haga funcionar el motor en zonas cerradas. Los gases del tubo de escape del motor contienen monóxido de carbono, un veneno letal.
18. Utilice únicamente accesorios aprobados por el fabricante. Consulte las instrucciones del fabricante para obtener información sobre el funcionamiento y la instalación de accesorios.

## MANTENIMIENTO Y ALMACENAMIENTO

1. NO almacene el cortacésped ni el contenedor de combustible en interiores en que los humos puedan alcanzar llamas expuestas, chispas o luces pilotos como las de los calentadores de agua, hornos u otros dispositivos que utilicen combustibles. Deje que el motor se enfríe antes de almacenar la unidad en cualquier recinto. Almacene el contenedor de combustible fuera del alcance de los niños en una construcción ventilada desocupada.
2. Mantenga el cortacésped y su motor libre de hierba, hojas o exceso de grasa para reducir el riesgo de incendio y el sobrecalentamiento del motor.
3. Cuando drene el depósito del carburante, vacíe el carburante en un contenedor homologado y hágalo en espacios exteriores y lejos de llamas.
4. Mantenga precedentemente ajustados todos los pernos, especialmente los pernos de la cuchilla, tuercas y tornillos. Compruebe que todos los pernos de seguridad estén en la posición adecuada.
5. Procure que haya siempre la ventilación adecuada antes de poner el motor en funcionamiento. Los gases del tubo de escape del motor contienen monóxido de carbono, un veneno letal.
6. Repare o ajuste el motor solamente cuando no esté funcionando. Retire el cable de la bujía de la bujía y asegúrelo lejos de la bujía para evitar el arranque accidental.
7. NO cambie los ajustes de velocidad del regulador del motor ni le de velocidad de más al motor.
8. Compruebe la junta de la bolsa de hierba por si tuviese desgastes o signos de deterioro para evitar que salgan despedidos objetos y la exposición de partes móviles. Sustitúyala por una nueva bolsa si aparecen costuras sueltas o desgarramientos. Sustituya el dispositivo deslizante o el adaptador de la bolsa si aparece roto o agrietado.
9. Las cuchillas del cortacésped son afiladas y pueden producir cortes. Envuelva las cuchillas o utilice guantes de cuero resistentes y extreme la PRECAUCIÓN cuando las manipule.
10. NO compruebe la existencia de chispas basando la bujía junto al orificio de la bujía; la chispa podrá hacer que se quemé la gasolina que salga del motor.
11. Realice el mantenimiento de la máquina a través de un distribuidor autorizado al menos una vez al año y haga que el distribuidor le instale los nuevos dispositivos de seguridad.
12. Solamente debe utilizar piezas de repuesto autorizadas por la fábrica o piezas de repuesto similares en el momento de realizar reparaciones.

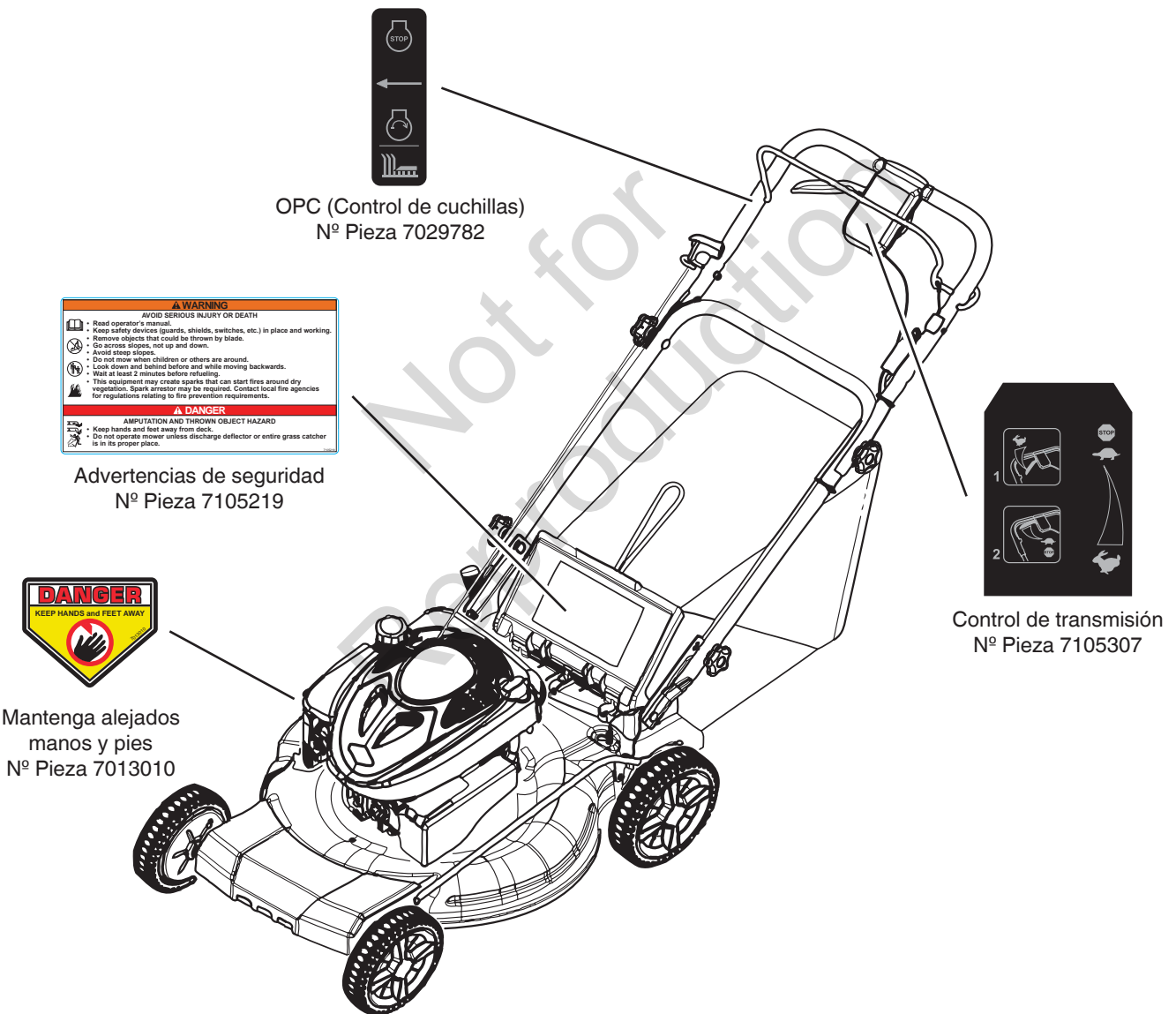
# Seguridad del usuario

## Etiquetas transparentes de seguridad y funcionamiento

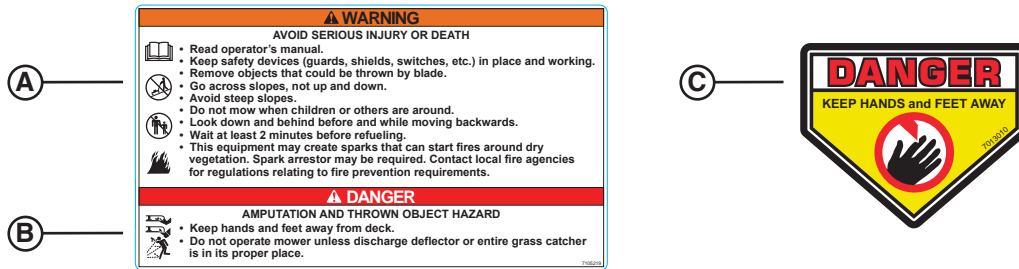
La lectura de este manual y las instrucciones de seguridad que contiene le proporcionarán todo lo que necesita saber para manejar este cortacésped de un modo seguro y eficaz. Sin embargo, el cortacésped también tiene pegadas etiquetas de seguridad y funcionamiento que sirven para recordar-le información importante durante el funcionamiento.

Las etiquetas incluidas a continuación están pegadas en el cortacésped. Las advertencias de seguridad y las instrucciones de funcionamiento que incluyen deben leerse, entenderse y respetarse cuidadosamente. **Si no se siguen estas importantes advertencias e instrucciones pueden producirse lesiones físicas graves o la muerte.**

Si alguna de estas etiquetas transparentes se perdiese o dañase, sustitúyala inmediatamente. Póngase en contacto con su agente para obtener pegatinas de sustitución.



## Explicación del significado de las etiquetas de seguridad



A. ADVERTENCIA: Evite la muerte o lesiones graves



Lea el manual del usuario antes de intentar usar el cortacésped.



En las pendientes, utilice el cortacésped a lo ancho, nunca de arriba a abajo.



Para evitar que otros resulten heridos, no use el cortacésped cuando cerca haya otras personas, especialmente niños.



Para reducir el riesgo de incendio, espere al menos 2 minutos antes de reponer el combustible.

B. PELIGRO: Riesgo de amputaciones y de lanzamiento de objetos.



Para evitar lesiones graves o la muerte, mantenga las manos y los pies alejados de la cubierta del cortacésped en todo momento durante el funcionamiento.



Para evitar las lesiones ocasionadas por objetos que pueden salir despedidos, no utilice el cortacésped a menos que todos los componentes que participan en el triturado, la descarga o el embolsado estén en el lugar correcto.

C. PELIGRO: Mantenga alejados manos y pies.

## Explicación del significado de las etiquetas de funcionamiento



A. OPC (Control de cuchillas)

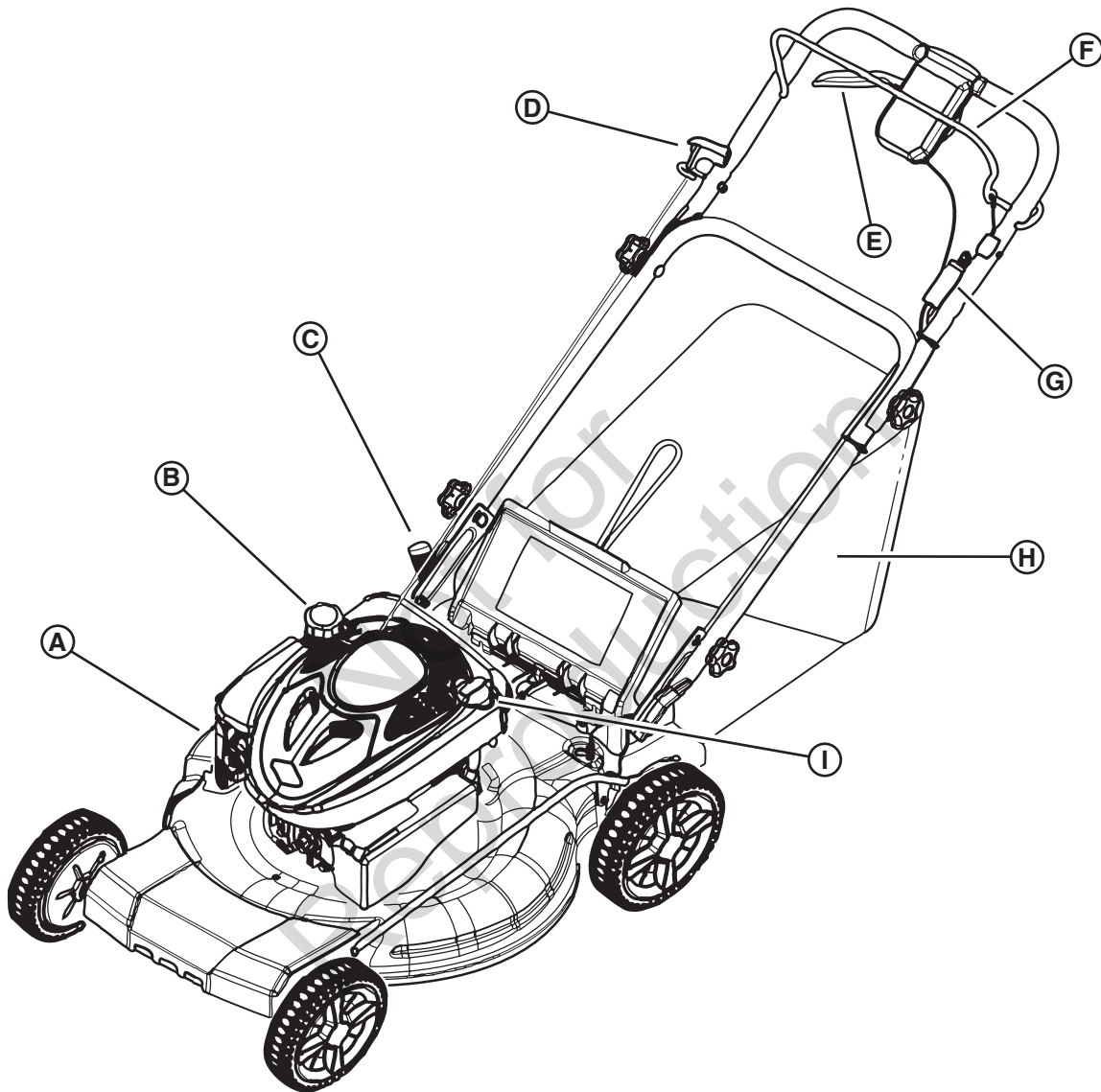
- Apriete el control de cuchillas para poner en funcionamiento y hacer funcionar el motor y la cuchilla.
- Libere el control de cuchillas para detener el motor y la cuchilla.

A. Acoplado/Rápido  
B. Lento/Desacoplar

## Características y controles

### IMPORTANTE

Los dibujos e ilustraciones que se incluyen en este manual se ofrecen únicamente como referencia y pueden diferir de su modelo en concreto. Póngase en contacto con su distribuidor si tiene preguntas que formular.



- A. Tapa de la desmenuzadora
- B. Tapa de relleno de combustible
- C. Palanca de ajuste de altura de corte
- D. Manilla de la cuerda del motor de arranque

- E. Control de transmisión
- F. Control de cuchillas
- G. Interruptor de encendido (7800887)
- H. Bolsa para hierba
- I. Tapa de llenado de aceite y varilla indicadora

## Desembalaje del cortacésped

1. Corte las cuatro esquinas de la caja de arriba a abajo.
2. Quite todo el material de embalaje del cortacésped.
3. Localice e identifique todos los componentes incluidos con el cortacésped:
  - Tapón de cubrición (instalado)
  - Bolsa para hierba
  - Deflector de descarga lateral
  - Aceite SAE30W
  - Cargador de la batería (7800887)
  - Llaves de encendido (7800887)
  - Manual del usuario

## Levantamiento del conjunto de la manilla

1. Afloje, pero no quite, los nudos **(A, Figura 1)** de ambos lados de la manilla superior.
2. Desenvuelva la manilla superior de manera que quede alineada con la manilla inferior y apriete las perillas superiores.
3. Quite la perilla del mango, las arandelas y los pernos de transporte del mango inferior **(B)**.
4. Levante el mango inferior, alineándolo con uno de los tres juegos de orificios en la abrazadera. (la mayoría de los usuarios prefieren la posición intermedia). Vuelva a colocar los aditamentos que quitó en el Paso 3 y apréte-los de manera segura.

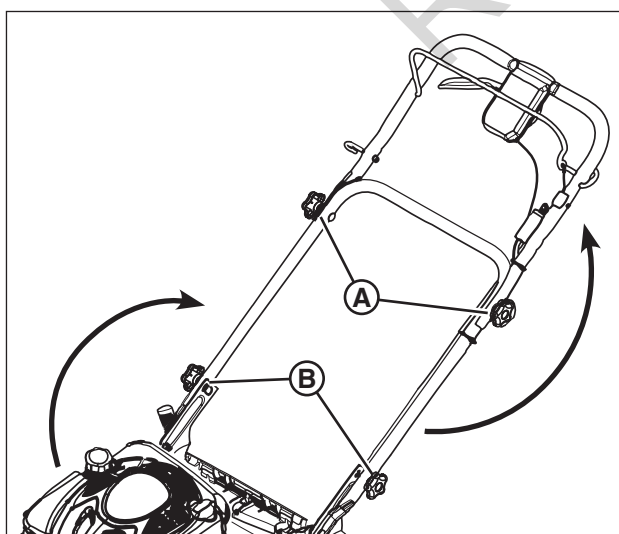


Ilustración 1: Levante el conjunto de la manilla

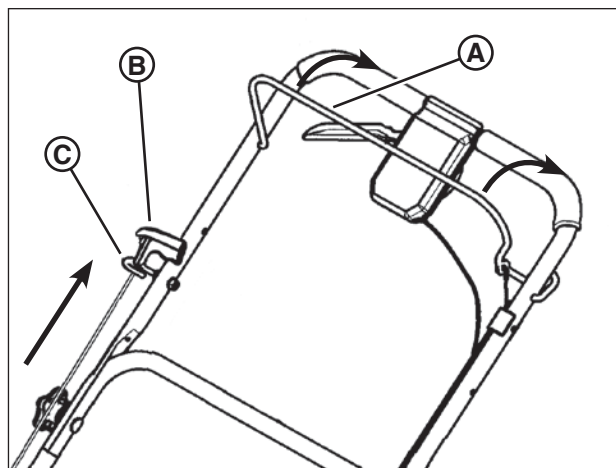


Ilustración 2: Manilla de la cuerda del motor de arranque

## Ensamblaje de la bolsa para hierba

1. Deslice el armazón **(A, Figura 3)** dentro de la bolsa para hierba **(B)**. Verifique que la manija **(C)** está en el lado exterior de la bolsa para hierba.
2. Sujete los ganchos **(D)** a las costados, la parte superior e la parte inferior del armazón.

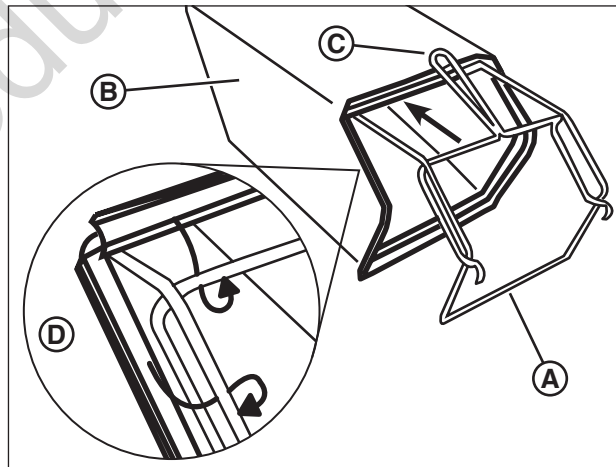


Ilustración 3: Ensamblaje de la bolsa de césped

# Funcionamiento

## Antes de empezar

1. Compruebe que todas las protecciones, los deflectores, la bolsa para la hierba y las cubiertas estén en su lugar y sujetas.
2. Revise el control de la cuchilla (**A, Figura 4**) y el control de transmisión (**B**) para asegurarse de que funcionan sin ningún tipo de obstrucción.

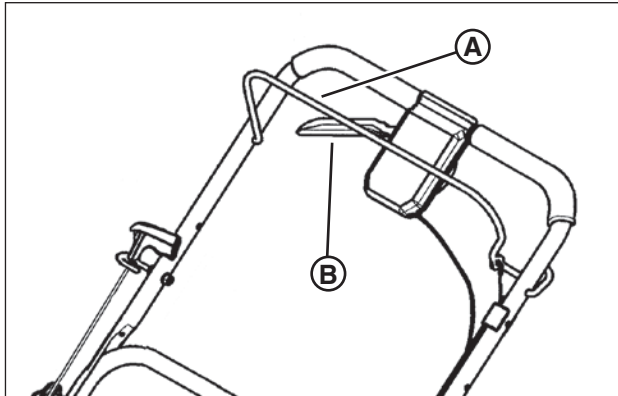


Ilustración 4: Controles del cortacésped

3. Revise la altura de corte. Ajuste la altura deseada. Consulte la sección titulada 'Ajuste de altura de corte'.
4. Compruebe el aceite del motor:
  - Asegúrese de que el cortacésped se encuentre en una superficie nivelada.
  - Limpie cualquier suciedad que exista en el área de llenado del aceite.
  - Saque la varilla de nivel de aceite (**A, Figura 5**) y límpiela con un paño limpio.
  - Inserte y apriete la varilla de nivel de aceite.
  - Saque la varilla y compruebe el nivel del aceite. Debe estar en la parte superior del indicador de lleno (**B**) de la varilla.
  - Si el nivel es bajo, eche el aceite lentamente en el depósito de aceite el motor. Consulte la sección titulada 'Recomendaciones sobre el aceite'. **No llene el depósito en exceso.** Después de añadir aceite, espere un minuto y luego vuelva a revisar el nivel de aceite.
  - Vuelva a meter y apriete la varilla de nivel de aceite.

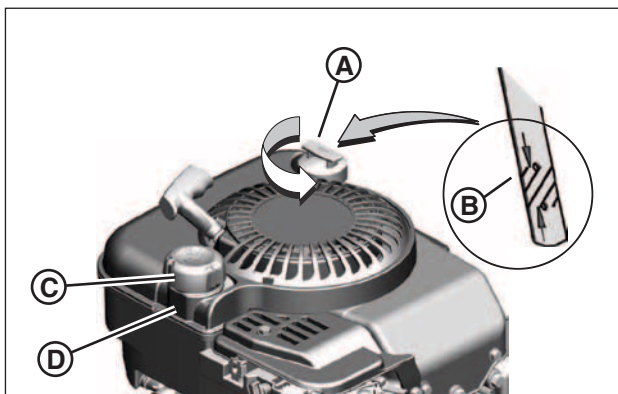


Ilustración 5: Llenado de aceite y combustible

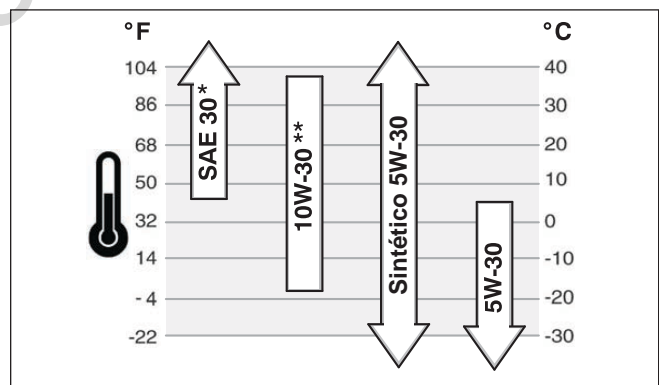
**IMPORTANTE** El cortacésped se envía sin aceite en el motor. Si no añade aceite antes de arrancar el motor, el motor resultará dañado.

5. Añada combustible al depósito:
  - Asegúrese de que el cortacésped esté al aire libre, donde los humos puedan disiparse de un modo seguro.
  - Retire la tapa del depósito de combustible (**C, Figura 5**).
  - Llene el depósito con combustible. Consulte la sección titulada 'Recomendaciones sobre el combustible'. Para permitir que el combustible se expanda, no lleve el depósito por encima de la parte inferior del cuello del tanque de combustible (**D**).
  - Vuelva a instalar la tapa del tanque de combustible.
6. Limpie la acumulación de combustible derramado, suciedad, hierba, aceite, etc. que pueda haber en las superficies exteriores de la cubierta de corte y del motor. Mantenga la rejilla de entrada de aire del motor y las aletas de refrigeración limpias en todo momento.
7. Cambie la batería. Consulte la sección titulada "Carga de la batería".

## Recomendaciones sobre el aceite

Recomendamos usar aceites certificados con garantía de Briggs & Stratton para lograr el mejor rendimiento. También se pueden usar aceites detergente de alta calidad si están clasificados para el servicio SF, SG, SH, SJ o superior. No utilice aditivos especiales.

Las temperaturas exteriores determinan la viscosidad correcta del aceite para el motor. Use la tabla para seleccionar la mejor viscosidad para el rango de temperaturas exteriores esperadas.



\* Por debajo de 4 °C (40° F), el uso de SAE 30 se traducirá en un arranque difícil.

\*\* Por encima de 27°C (80°F), el uso de 10W-30 podrá ocasionar un aumento del consumo de aceite. Compruebe el nivel de aceite con frecuencia.

## Recomendaciones sobre combustible

El combustible debe cumplir los siguientes requisitos:

- Gasolina nueva y sin plomo con
- Un mínimo de 87 octanos/ 87AKI (90 RON).
- La gasolina con un máximo del 10% de etanol (gasohol) o un máximo del 15% de MTBE (acetato de metiléter de propilenglicol).
- **PRECAUCIÓN:** NO utilice gasolinas no homologadas, como es el caso de E85. No haga mezclas con la gasolina ni realice modificaciones en el motor para hacerlo funcionar con otros combustibles. Hacer tal cosa dañaría los componentes del motor y **anularía la garantía del motor.**

El motor de este equipo está certificado para funcionar con gasolina. El sistema de control de emisiones para este motor es EM (Modificaciones de motores).

## Altitud elevada

A altitudes superiores a los 1524 metros (5000 pies), se puede utilizar una gasolina de 85 octanos/85 AKI (89 RON). Para cumplir con la normativa sobre emisiones, es necesario realizar un ajuste en altitudes elevadas. Si pone en funcionamiento la máquina sin realizar este ajuste, el rendimiento de la máquina disminuirá, aumentará el consumo de combustible y aumentarán las emisiones.

No se recomienda hacer funcionar el motor con el kit para altitudes altas a altitudes inferiores a los 762 metros (2500 pies).

## Encendido del cortacésped

El motor de este cortacésped está equipado con un sistema ReadyStart®, que incorpora un estrangulador automático controlado por temperatura. No dispone de un estrangulador manual o un cebador.

1. Apriete y mantenga apretado el control de la cuchilla (**A**, **Figura 6**) contra la manilla.
2. Tire de la manilla de la cuerda del motor de arranque (**B**) para arrancar el motor.  
7800887 - Inserte la llave en el interruptor de encendido (**C**). Gire la llave para encender el motor.
3. Para detener el motor (y la cuchilla), libere el control de la cuchilla.
4. Después de que arranque el motor, espere un poco a que se caliente hasta que el motor funcione de manera suave antes de poner en funcionamiento el cortacésped.

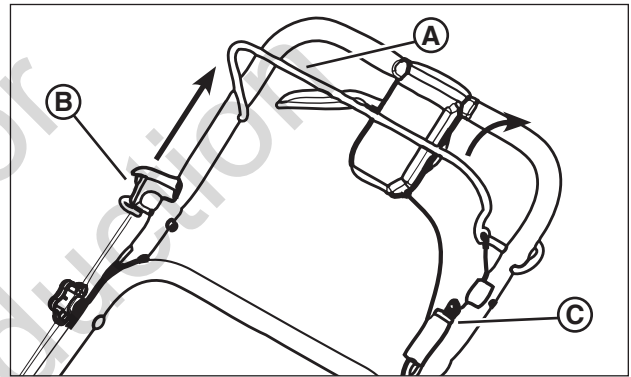


Ilustración 6: Arranque del cortacésped

## Propulsión del cortacésped

1. Arranque el motor
2. Comience a tirar del control de la dirección (**A**, **Figura 7**) hacia la manilla para enganchar la transmisión de las ruedas y propulsar el cortacésped hacia delante. La velocidad de desplazamiento puede aumentarse tirando del control de la transmisión hacia la manilla.

**IMPORTANTE:** Después del uso inicial, es posible que necesite ajustarse el control de la transmisión. Consulte la sección titulada "Ajuste del control de la transmisión".

## Detención del cortacésped

1. Para detener el movimiento de avance del cortacésped, libere el control de la dirección.
2. Para detener el motor (y la cuchilla), libere el control de la cuchilla.
3. 7800887 - Retire la llave del interruptor de encendido.

## Funcionamiento

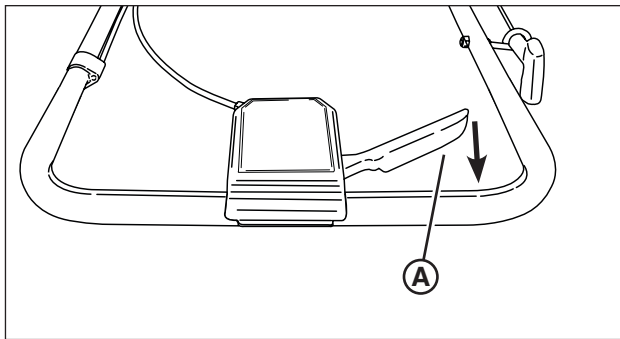


Ilustración 7: Propulsión del cortacésped

## Ajuste de altura del mango

**⚠ ADVERTENCIA ⚠**  
NO intente realizar ningún tipo de mantenimiento o ajuste con el motor y la cuchilla en funcionamiento. DETENGA el motor y la cuchilla. Quite la llave de acceso. Desconecte el cable de la bujía y manténgalo alejado de la bujía. El motor y los componentes están CALIENTES. Para evitar quemaduras graves, espere suficiente tiempo a que todos los componentes se enfríen.

Para que el usuario goce de una mayor comodidad, la altura del mango del cortacésped puede ajustarse.

1. Quite la perilla del mango, las arandelas y los pernos de transporte del mango inferior (A, Figura 8).

**NOTA:** No retire el juego inferior de aditamentos del mango (D).

2. Alinee el conjunto del mango con uno de los tres agujeros de ajuste de altura del mango (B).
3. Vuelva a colocar los aditamentos que quitó en el Paso 1 y aprételos de manera segura.

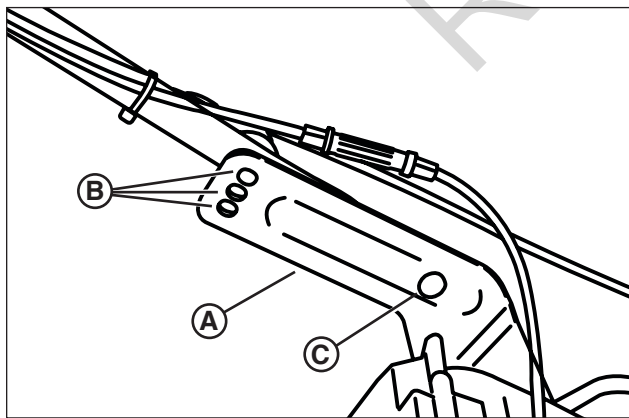


Ilustración 8: Ajuste de la altura del mango

## Ajuste de altura de corte

**⚠ ADVERTENCIA ⚠**  
NO intente realizar ningún tipo de mantenimiento o ajuste con el motor y la cuchilla en funcionamiento. DETENGA el motor y la cuchilla. Quite la llave de acceso. Desconecte el cable de la bujía y manténgalo alejado de la bujía. El motor y los componentes están CALIENTES. Para evitar quemaduras graves, espere suficiente tiempo a que todos los componentes se enfríen.

Tire de la palanca de ajuste de la altura de corte (A, Figura 9) hacia fuera y muévala hasta la altura de corte deseada. La posición de corte más alta es la Muesca 9, y la posición de corte más baja es la Muesca 1 (Figura 10). La palanca fijará todas las ruedas en la misma altura de corte.

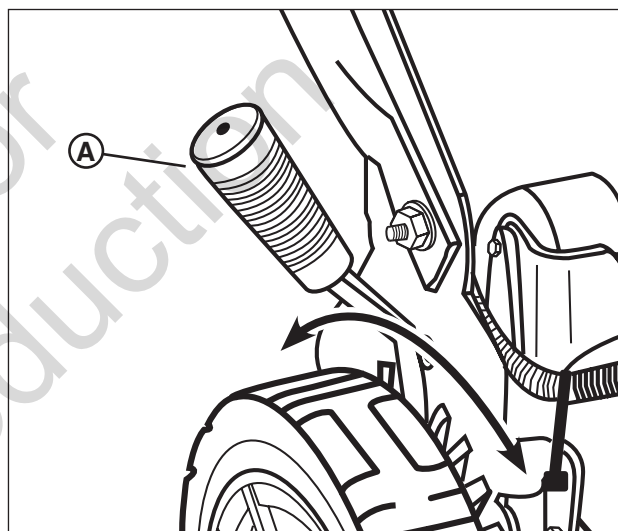


Ilustración 9: Ajuste de altura de corte

## Funcionamiento de la desmenuzadora

Para obtener los mejores resultados de la desmenuzadora, corte hasta un máximo de 1/3 de la altura de la hierba y recicle SÓLO cuando la hierba esté seca.

1. Asegúrese de que el deflector de descarga y la bolsa para hierba estén quitados y que el tapón de cubrición de suelos esté instalado.
2. Fije la palanca de ajuste de la altura de corte en la posición de corte más alta (Muesca 9).
3. Comience a cortar el césped lentamente. Baje gradualmente la altura de corte para obtener la mejor combinación de rendimiento de corte y triturado. Si corta demasiada hierba en una pasada, o corta césped muy húmedo, la cubierta del cortacésped puede atascarse.



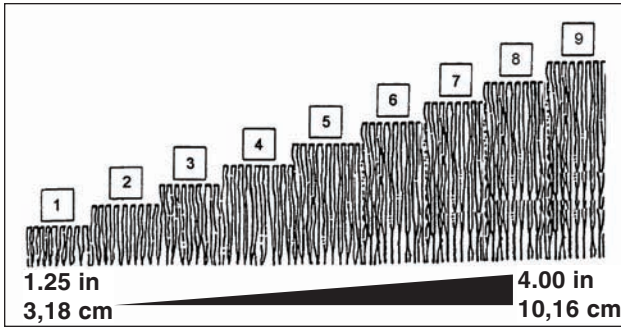


Ilustración 10: Valores de altura de corte (aproximados)

## Instalación del deflector de descarga

### ⚠️ ADVERTENCIA ⚠️

NO intente realizar ningún tipo de mantenimiento o ajuste con el motor y la cuchilla en funcionamiento. DETENGA el motor y la cuchilla. Quite la llave de acceso. Desconecte el cable de la bujía y manténgalo alejado de la bujía. El motor y los componentes están CALIENTES. Para evitar quemaduras graves, espere suficiente tiempo a que todos los componentes se enfríen.

1. Levante la tapa del desmenzador (A, Figura 11).
2. Instale el deflector (B) en la cubierta debajo de la cubierta de la desmenzadora, asegurándose de que las lengüetas de bloqueo de la cubierta (C) pasen por las ranuras del deflector (B).
3. Baje la tapa de la trituradora contra el deflector.

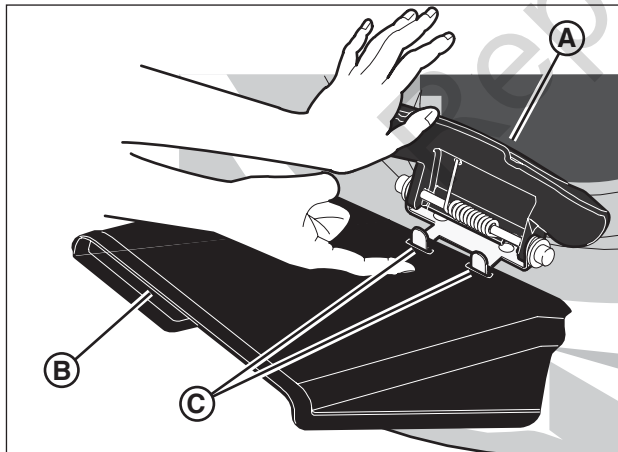


Ilustración 11: Instalación del deflector de descarga

## Instalación de la bolsa de césped

### ⚠️ ADVERTENCIA ⚠️

NO intente realizar ningún tipo de mantenimiento o ajuste con el motor y la cuchilla en funcionamiento. DETENGA el motor y la cuchilla. Quite la llave de acceso. Desconecte el cable de la bujía y manténgalo alejado de la bujía. El motor y los componentes están CALIENTES. Para evitar quemaduras graves, espere suficiente tiempo a que todos los componentes se enfríen.

**Importante:** El tapón de cubrición de suelos debe quitarse únicamente cuando se desee la aspiración del césped para meterlo en la bolsa y debe volver a colocarse tan pronto como finalice esta operación.

1. Levante la puerta de descarga posterior (A, Figura 12).
2. Quite el tapón de cubrición de suelos (B) del conducto de descarga trasero.

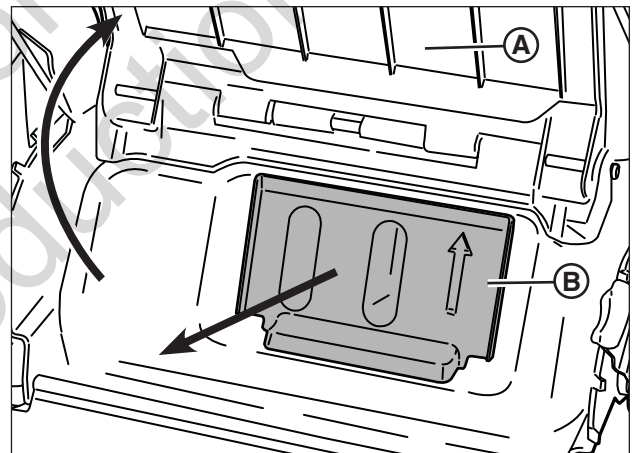


Ilustración 12: Extracción del tapón de cubrición

3. Agarrando el mango de la bolsa para hierba (A, Figura 13), instale la bolsa para hierba en el cortacésped asegurándose de que los ganchos de la bolsa (B) estén enganchados en la varilla del eje de la puerta posterior (C).

## Funcionamiento

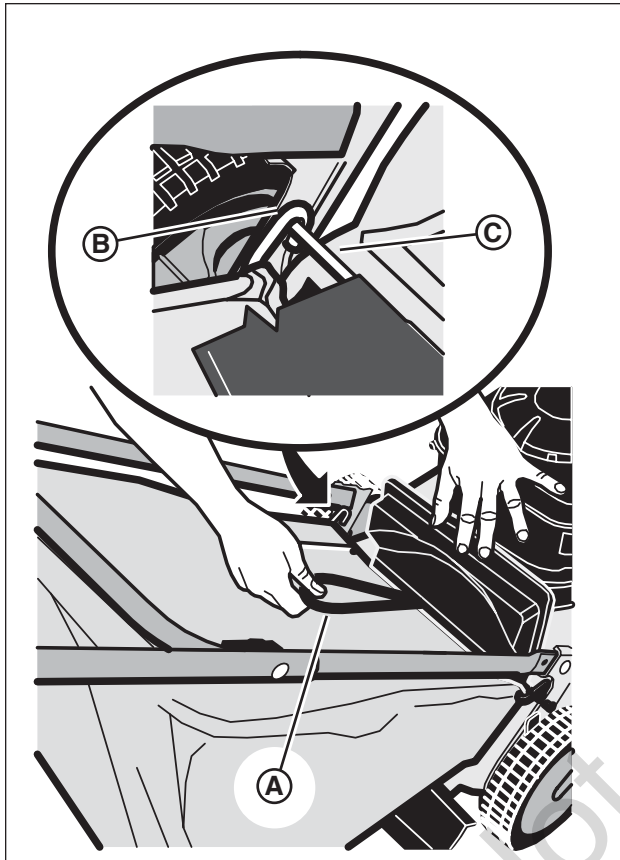


Ilustración 13: Instalación de la bolsa de césped

**⚠ ADVERTENCIA ⚠**

Las bolsas del receptor de césped están fabricadas con tela tejida y están sometidas al deterioro y el desgaste durante su uso normal. Revise el estado de la bolsa antes de usarla. Sustituya inmediatamente las bolsas del receptor que estén desgastadas o dañadas por bolsas recomendadas exclusivamente por el fabricante. El receptor de césped es un equipo opcional en algunos modelos.

## Carga de la batería (7800887)

La batería de este cortacésped está sellada y no necesita ningún tipo de mantenimiento distinto de la carga. Si la batería no acepta ninguna carga, lleve el cortacésped a un centro de mantenimiento autorizado para que sea reparada.

1. Enchufe el cargador de la batería en el conector de la batería (A, Figura 14), y conecte el cargador en un enchufe de 120 voltios durante un período de 12-24 horas (Periodos más largos no dañarán la batería).
2. Retire el cargador del conector de la batería, y conecte el conector de la batería a la conector del arnés del motor (B).

**Importante:** Use solamente el cargador suministrado con el cortacésped para cargue la batería. Si utiliza un cargador diferente, ello puede dañar la batería y/o el cortacésped.

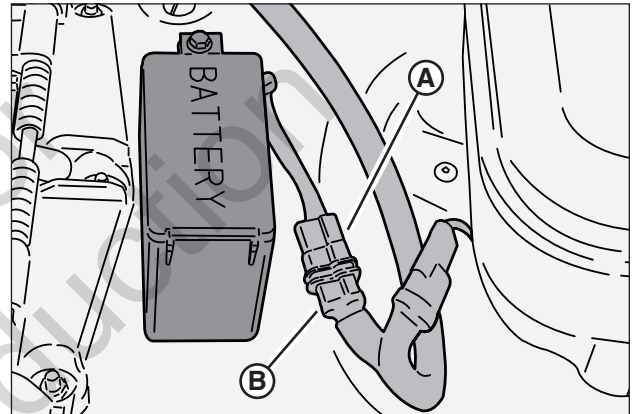


Ilustración 14: Carga de la batería

**⚠ ADVERTENCIA ⚠**

Mantenga cualquier chispa, llama o fuego alejados del área donde se realiza la carga de la batería. Nunca use cargadores "AUMENTADORES" con la batería.

## Tabla de mantenimiento



### ADVERTENCIA



NO intente realizar ningún tipo de mantenimiento o ajuste con el motor y la cuchilla en funcionamiento. DETENGA el motor y la cuchilla. Quite la llave de acceso. Desconecte el cable de la bujía y manténgalo alejado de la bujía. El motor y los componentes están CALIENTES. Para evitar quemaduras graves, espere suficiente tiempo a que todos los componentes se enfríen. Use guantes de piel gruesos cuando manipule o trabaje cerca de las cuchillas. Las cuchillas están extremadamente afiladas y pueden ocasionar heridas graves.

<b>CORTACÉSPED</b>
<b>Cada 8 horas o diariamente</b>
Revisar el sistema de bloqueo de seguridad
Limpiar los desechos del cortacésped
<b>Cada 25 horas o anualmente *</b>
Revisar cortacésped por si tuviesen piezas sueltas
<b>Ponerse en contacto con el distribuidor anualmente para</b>
Lubricar el cortacésped
Revisar la cuchilla del cortacésped **
Comprobar el tiempo de detención de las cuchillas del cortacésped
Revisar la correa de transmisión
Limpiar la batería y el cableado

\* Lo que ocurra en primer lugar

\*\* Revise la cuchilla más a menudo en regiones que tengan suelos arenosos y en condiciones en las que exista mucho polvo.

### Control de emisiones

Cualquier establecimiento de reparación de motores que no esté en el camino o cualquier individuo pueden realizar el mantenimiento, remplazo o reparación de los dispositivos y sistemas de control de emisiones. Sin embargo, para conseguir un servicio de control de emisiones "sin costo", un distribuidor autorizado de fábrica debe realizar el trabajo. Consulte la garantía sobre emisiones.

<b>MOTOR</b>
<b>5 primeras horas</b>
Cambiar el aceite de motor
<b>Cada 8 horas o diariamente</b>
Comprobar el nivel de aceite del motor
<b>Cada 25 horas o anualmente *</b>
Limpiar el filtro y el depurador de aire del motor (si lo tiene) **
<b>Cada 50 horas o anualmente *</b>
Cambiar el aceite de motor
Reemplazar el filtro de aceite (si lo tiene)
<b>Anualmente</b>
Cambiar el filtro de aire
Reemplazar el filtro de aceite (si lo tiene)
<b>Ponerse en contacto con el distribuidor anualmente para</b>
Inspeccionar el silenciador y la pantalla antichispas (si lo tiene)
Cambiar la bujía
Reemplazar el filtro del combustible (si lo tiene)
Limpiar el sistema de enfriamiento del motor

\* Lo que ocurra en primer lugar

\*\* En condiciones en las que exista polvo o suciedad en forma de partículas en suspensión, limpiar más a menudo.

# Mantenimiento

## Cambio del aceite del motor



### ADVERTENCIA



NO intente realizar ningún tipo de mantenimiento o ajuste con el motor y la cuchilla en funcionamiento. DETENGA el motor y la cuchilla. Quite la llave de acceso. Desconecte el cable de la bujía y manténgalo alejado de la bujía. El motor y los componentes están CALIENTES. Para evitar quemaduras graves, espere suficiente tiempo a que todos los componentes se enfríen.

1. Drene completamente el tanque de combustible.
2. Saque la varilla del aceite (A, Figura 15) y luego incline el cortacésped sobre su lado. Espere a que el aceite salga del tubo del aceite y se vierta sobre un contenedor apropiado. Deshágase del aceite usado correctamente.
3. Coloque recto el cortacésped y llene el motor con aceite para motor hasta la marca que indica 'lleno' de la varilla. Consulte la sección titulada 'Recomendaciones sobre el aceite'. **No llene el depósito en exceso.**

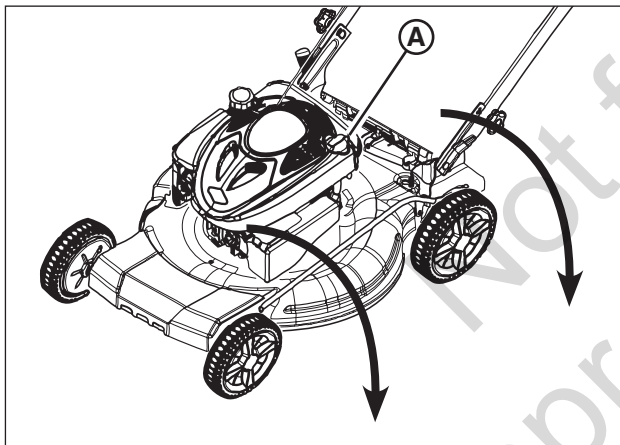


Ilustración 15: Drenaje del aceite del motor

## Mantenimiento del filtro de aire



### ADVERTENCIA



Nunca arranque o ponga el motor en funcionamiento con el conjunto del filtro de aire (si lo tiene) o el filtro de aire (si lo tiene) quitados.

**NOTA:** No utilice aire presurizado ni disolventes para limpiar el filtro. El aire presurizado puede dañar el filtro y los disolventes lo disolverán.

1. Afloje el sujetador (A, Figura 16) que sujeta la cubierta (B).
2. Abra la tapa y quite el depurador (C) y el filtro (D).
3. Para quitar la suciedad, golpee suavemente el filtro contra una superficie dura. Si el filtro está excesivamente sucio, replácelo con uno nuevo.
4. Lave el depurador con detergente líquido y agua. A continuación, enjuáguelo bien y séquelo. No lubrique el depurador.
5. Monte el depurador seco en el filtro con el labio (E) del depurador de la parte inferior de los pliegues del filtro.
6. Instale el filtro.
7. Instale las lengüetas de la tapa (F) en las ranuras (G).
8. Cierre la tapa y sujétela con el sujetador.

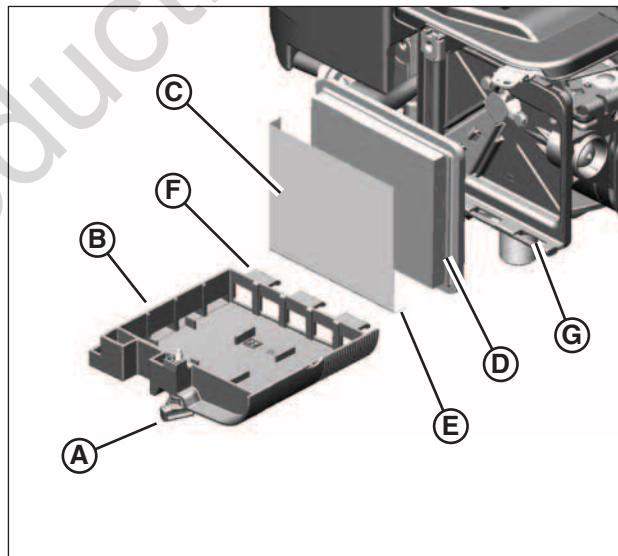


Ilustración 16: Filtro del aire y depurador

## Revisar el sistema de bloqueo de seguridad

1. Arranque el cortacésped.
2. Libere el control de la cuchilla. **El motor debe detenerse en 3 segundos.**

Si el motor no se detiene en 3 segundos, **no utilice el cortacésped**. Lleve el cortacésped a un centro de servicio técnico autorizado para realizar en él operaciones de mantenimiento y reparación.

## Limpieza de los desechos del cortacésped

### ⚠ ADVERTENCIA ⚠

NO intente realizar ningún tipo de mantenimiento o ajuste con el motor y la cuchilla en funcionamiento. **DETENGA** el motor y la cuchilla. Quite la llave de acceso. Desconecte el cable de la bujía y manténgalo alejado de la bujía. El motor y los componentes están **CALIENTES**. Para evitar quemaduras graves, espere suficiente tiempo a que todos los componentes se enfríen. Use guantes de piel gruesos cuando manipule o trabaje cerca de las cuchillas. Las cuchillas están extremadamente afiladas y pueden ocasionar heridas graves.

1. Elimine la suciedad y posibles desechos de la parte superior de la cubierta del cortacésped.
2. Limpie cualquier acumulación de suciedad que haya en o alrededor del motor, etc.

Mientras realiza la limpieza, revise los componentes por si estuviesen desgastados o dañados. Sustituya inmediatamente los componentes gastados o dañados.

## Puerto de deslave

### ⚠ ADVERTENCIA ⚠

- Use una protección ocular adecuada.
- Mantenga a las personas y los animales domésticos lejos de la zona de trabajo.
- Manténgase detrás del mango mientras el motor esté funcionando.
- No intente realizar operaciones de corte mientras se usa el puerto de deslave.
- No intente mirar o tocar la parte inferior de la cubierta del cortacésped bajo ninguna circunstancia mientras se usa el puerto de deslave. Pueden producirse lesiones graves.

El puerto de deslave le permite limpiar la parte inferior de la cubierta del cortacésped. Para usar el puerto de deslave:

1. Asegúrese de que la bolsa para hierba y el deflector de descarga lateral estén quitados.
2. Ajuste la altura de corte hasta la posición más baja.
3. Mueva el cortacésped hasta una superficie nivelada y pavimentada.
4. Detenga el motor

5. Conecte el extremo macho de una manguera estándar con el conector del puerto de deslave (**A, Figura 17**).
6. Sitúe en posición ON el suministro de agua para la manguera.
7. Arranque el motor y deje que funcione hasta que no salga más suciedad de debajo de la cubierta del cortacésped.
8. Detenga el motor
9. Sitúe en posición OFF el suministro de agua para la manguera.
10. Desconecte la manguera del conector del puerto de deslave.
11. Arranque el motor y deje que funcione durante 2-3 minutos para permitir que se seque la parte inferior de la cubierta del cortacésped.

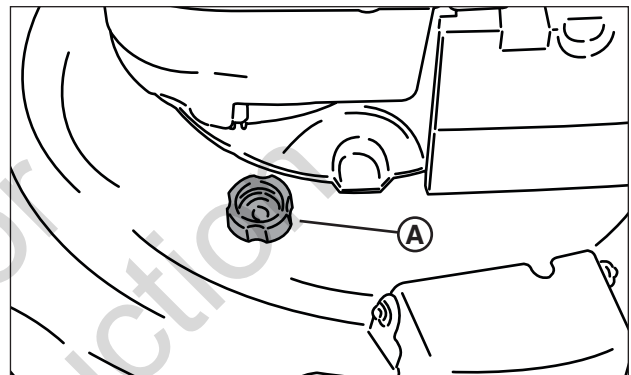


Ilustración 17: Puerto de deslave

## Mantenimiento

### Ajuste del control de la transmisión



#### ADVERTENCIA



NO intente realizar ningún tipo de mantenimiento o ajuste con el motor y la cuchilla en funcionamiento. **DETENGA** el motor y la cuchilla. Quite la llave de acceso. Desconecte el cable de la bujía y manténgalo alejado de la bujía. El motor y los componentes están **CALIENTES**. Para evitar quemaduras graves, espere suficiente tiempo a que todos los componentes se enfríen.

La palanca del control de las ruedas motrices (**A, Figura 18**) debe acoplar la transmisión cuando se tire de la palanca hacia el mango, y debe desacoplar la transmisión cuando se libere la palanca.

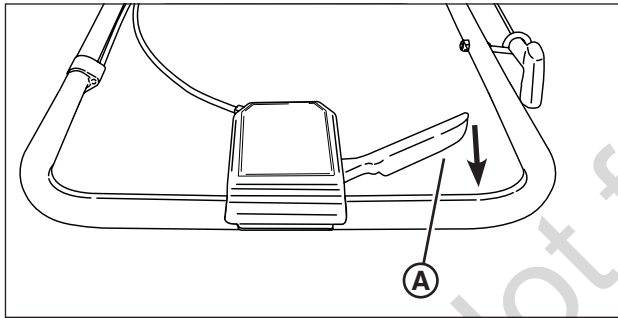


Ilustración 18: Control de transmisión

Si la transmisión no se acopla o desacopla, puede ajustarse de la siguiente manera:

- Si la transmisión no se acopla, aumente la tensión del cable de transmisión soltando la contratuerca (**C, Figura 19**) y girando el tensor (**A**) hacia la izquierda media vuelta para sacar las férulas (**B**) del tensor. Apriete la contratuerca contra el tensor. Revise y repita esta operación cuantas veces sea necesaria.
- Si la transmisión no se desacopla, disminuya la tensión\* del cable de la transmisión soltando la contratuerca y girando el tensor media vuelta hacia la derecha para meter las férulas en el tensor. Apriete la contratuerca contra el tensor. Revise y repita esta operación cuantas veces sea necesaria.

NOTA: Algunos modelos no incluyen una contratuerca.

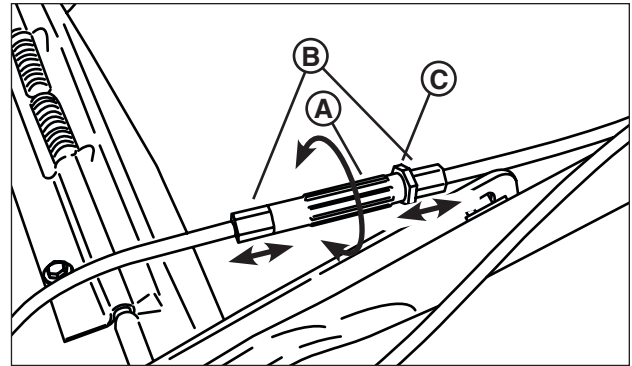


Ilustración 19: Ajuste del cable de guiado

**Precaución:** Un ajuste incorrecto puede ocasionar el desgaste prematuro y/o daños en los componentes de las rudas motrices.

## Procedimiento de almacenamiento



### ADVERTENCIA



NO intente realizar ningún tipo de mantenimiento o ajuste con el motor y la cuchilla en funcionamiento. **DETENGA** el motor y la cuchilla. Quite la llave de acceso. Desconecte el cable de la bujía y manténgalo alejado de la bujía. El motor y los componentes están **CALIENTES**. Para evitar quemaduras graves, espere suficiente tiempo a que todos los componentes se enfríen. Use guantes de piel gruesos cuando manipule o trabaje cerca de las cuchillas. Las cuchillas están extremadamente afiladas y pueden ocasionar heridas graves.

Prepare el cortacésped para su almacenamiento de "fin de temporada" de la siguiente manera:

1. Desconecte el cable de la bujía y manténgalo alejado de la bujía.
2. Drene el tanque de combustible y deje que el motor funcione hasta que el carburador se vacíe de combustible.

**NOTA:** Si se utiliza un estabilizador de combustible, no es necesario drenar el tanque de combustible. Consulte la sección titulada 'Sistema del combustible'.

3. Use un cepillo o aire comprimido para quitar la suciedad que quede suelta y luego use un paño humedecido para limpiar la unidad.
4. Inclíne el cortacésped hacia arriba sobre sus ruedas traseras e inspeccione la parte inferior de la cubierta. (No incline el cortacésped con la bujía o el carburador hacia abajo.) Rasque las incrustaciones de hierba más difíciles de limpiar con una espátula y/o un cepillo de alambre.
5. Lubrique todo el metal expuesto con una capa delgada de aceite para impedir la corrosión.
6. Doble cuidadosamente los mangos, flexionando los cables de control para impedir que el cable resulte dañado.
7. Almacene el cortacésped en un cobertizo u otra área seca que esté protegido contra las inclemencias del tiempo.

## Sistema de combustible

El combustible puede deteriorarse si se almacena durante más de 30 días. El combustible deteriorado hace que se acumulen depósitos de ácido y resina en el sistema de combustible o en las piezas principales del carburador. Para que el combustible se mantenga fresco, utilice el estabilizador y agente de tratamiento de combustible de fórmula avanzada de **Briggs & Stratton®**, disponible en cualquier lugar en el que se vendan piezas de mantenimiento auténticas de Briggs & Stratton.

Para motores equipados con una tapa de combustible **FRESH START®**, utilice **FRESH START® de Briggs & Stratton**, disponible en forma de cartucho concentrado por goteo.

No es necesario drenar la gasolina del motor si se añade un estabilizador de combustible siguiendo las instrucciones. Haga funcionar el motor durante dos minutos para que el estabilizador circule por el sistema de combustible antes de almacenarlo.

Si la gasolina del motor no se ha tratado con un estabilizador de combustible, debe drenarse en un contenedor aprobado para tal fin. Ponga el motor en marcha hasta que se detenga debido a la falta de combustible. Es recomendable usar un estabilizador de combustible en el contenedor de almacenamiento para mantener el combustible en buen estado.

# Solución de problemas

PROBLEMA	CAUSA PROBABLE	ACCIÓN CORRECTORAS
El motor no arranca	1. El tanque de combustible está vacío.	1. Llene el depósito de con combustible reciente.
	2. El cable de la bujía está desconectado.	2. Conecte el cable de la bujía en la bujía.
	3. El cableado está desconectado.	3. Conecte el cableado.
	4. Batería muerta.	4. Cargue o reemplace la batería.
El motor se para o pierde fuerza tras comenzar a funcionar	1. Se ha soltado el control de la cuchilla o no está bien sujeto en el mango.	1. El control de la cuchilla debe sujetarse de manera segura en el mango en todo momento durante el funcionamiento.
	2. El tanque de combustible está vacío.	2. Llene con combustible hasta el nivel correcto.
	3. El depurador del motor y/o filtro de aire están sucios.	3. Limpie o sustituya el depurador y/o filtro del aire.
	4. La bujía está dañada o mal colocada.	4. Repare la bujía defectuosa.
	5. El sistema de combustible contiene agua, suciedad o combustible en mal estado.	5. Drene y limpie el sistema de combustible.
Vibraciones excesivas	1. Dañado, sin equilibrio o cuchilla del cortacésped doblada.	1. Póngase en contacto con un distribuidor autorizado.
	2. Los componentes de la cuchilla están sueltos.	2. Póngase en contacto con un distribuidor autorizado.
	3. El elevador por aire (si se tiene) está suelto o falta.	3. Póngase en contacto con un distribuidor autorizado.
	4. La cinta está llena o deshilachada.	4. Póngase en contacto con un distribuidor autorizado.
El cortacésped no se mueve/pérdida de tracción	1. Acumulación de suciedad en o alrededor de los componentes de impulsión.	1. Limpie los desechos.
	2. Se necesita ajustar el cable de transmisión.	2. Ajuste el cable de transmisión.
	3. Se necesita reemplazar la correa de transmisión.	3. Póngase en contacto con un distribuidor autorizado.
	4. La transmisión está dañada.	4. Póngase en contacto con un distribuidor autorizado.
La hierba no se corta correctamente	1. La altura de corte es demasiado alta o baja.	1. Ajuste la altura de corte.
	2. La velocidad de avance es demasiado rápida.	2. Ajústela con una velocidad más lenta.
	3. Cuchilla de corte desafilada o dañada.	3. Póngase en contacto con un distribuidor autorizado.
Descarga de hierba insuficiente	1. La velocidad de avance es demasiado rápida.	1. Ajústela con una velocidad más lenta.
	2. La hierba está húmeda.	2. Córtelea cuando esté seca.
	3. Cuchilla de corte demasiado desgastada o dañada.	3. Póngase en contacto con un distribuidor autorizado.
	4. Acumulación de hierba cortada y suciedad debajo de la cubierta.	4. Limpie la plataforma.
	5. Cuchilla instalada de manera incorrecta en la cubierta.	5. Póngase en contacto con un distribuidor autorizado.
	6. Cuchilla instalada de manera incorrecta en la cubierta.	6. Póngase en contacto con un distribuidor autorizado.
Pérdida de aceite	1. La varilla de medir el aceite está suelta.	1. Asegúrese de que la varilla del aceite/tapa del tanque de aceite esté sujeta de manera segura en su lugar.
	2. El tapón de desagüe está suelto.	2. Revise y apriete el tapón de desagüe.
	3. Ha rebosado el nivel del aceite.	3. Drene el exceso de lubricante.
	4. Los sellados de aceite están dañados.	4. Póngase en contacto con un distribuidor autorizado.



## BRIGGS & STRATTON POWER PRODUCTS GROUP, L.L.C. PÓLIZA DE GARANTÍA DEL PROPIETARIO

### GARANTÍA LIMITADA

Briggs & Stratton Power Products Group, LLC reparará y/o reemplazará, sin cargo, cualquier pieza del equipo que esté defectuosa en material o fabricación o ambos. Briggs & Stratton Corporation reparará y/o reemplazará, sin cargo, cualquier pieza del motor\* de Briggs and Stratton (si está equipado con éste) que esté defectuosa en material o fabricación o ambos. El comprador debe cubrir los gastos de transporte del producto que se envíe para reparación o reemplazo según esta garantía. Esta garantía está en vigencia por los períodos y sujeta a las condiciones que se establecen más adelante. Para el servicio de garantía, busque el distribuidor de servicio autorizado más cercano usando el mapa localizador de distribuidores en [www.BriggsandStratton.com](http://www.BriggsandStratton.com) o [www.Brutepower.com](http://www.Brutepower.com).

No existe otra garantía expresa. Las garantías implícitas, inclusive aquellas de comerciabilidad y de idoneidad para un propósito en particular se limitan a un año a partir de la fecha de compra o hasta los límites permitidos por la ley. La responsabilidad por daños directos o emergentes está excluida según lo permita la ley.

Algunos estados o países no permiten limitaciones sobre la duración de una garantía implícita y algunos estados o países no permiten la exclusión o limitación de daños directos o indirectos, por lo que puede que la limitación y exclusión anterior no se aplique a usted. Esta garantía le otorga derechos legales específicos y también podría ejercer otros derechos que varían según el estado o el país.

### PERÍODO DE LA GARANTÍA

Elemento	Uso de consumo	Uso comercial:
Equipo	2 años	90 días
Motor*	2 años	90 días
Batería	1 año	1 año

El período de garantía comienza en la fecha de compra por el primer usuario final de consumo minorista o comercial, y continúa durante el período de tiempo que se indica anteriormente. "Uso de consumo" significa uso doméstico residencial personal por un consumidor minorista. "Uso comercial" significa todos los otros usos, lo que incluye el uso para propósitos comerciales, generar ingresos o alquiler. Una vez que el producto se haya usado para fines comerciales, de ahí en adelante se considerará como para uso comercial a efectos de esta garantía.

No es necesario registrar la garantía para obtener el servicio de garantía para productos Briggs & Stratton. Guarde el recibo del comprobante de la compra. Si no proporciona un comprobante de la fecha de compra inicial en el momento en que se solicite el servicio de garantía, se usará la fecha de fabricación del producto se usará para determinar si tiene derecho a la garantía.

### ACERCA DE LA GARANTÍA

Aceptamos las reparaciones por el servicio de garantía y nos disculpamos por las molestias. El servicio de garantía se encuentra disponible solamente a través de concesionarios de servicio autorizados por Briggs & Stratton o BSPPG, LLC.

La mayoría de las reparaciones por el servicio de garantía se gestionan de manera rutinaria, aunque en ocasiones puede que las solicitudes de servicio de garantía no sean adecuadas. Esta garantía solamente cubre defectos de material o fabricación. No cubre los daños ocasionados por un uso incorrecto o un mal uso, un mantenimiento o unas reparaciones inadecuadas, el desgaste y la rotura propios del uso, o el uso de un combustible en mal estado o no aprobado.

**Uso no adecuado y mal uso** - El uso correcto y para el que se ha concebido este equipo se describe en el manual del usuario. Si el producto no se usa de la manera que se describe en el manual del usuario o si el producto se usa después de que haya resultado dañado, quedará anulada la garantía. La garantía queda anulada si se ha borrado el número de serie del producto o el producto ha sido modificado de alguna manera, o si el producto presenta indicios de haber sido usado incorrectamente, por ejemplo, daños producidos por un impacto, o daños producidos por corrosión química/agua.

**Reparación o mantenimiento incorrectos** - Este producto debe mantenerse de acuerdo con los procedimientos y el calendario que se proporcionan en el manual del usuario, y debe ser reparado usando para ello piezas originales de Briggs & Stratton. La garantía no cubre los daños ocasionados por la falta de mantenimiento o el uso de piezas no originales.

**Desgaste normal** - Como otros dispositivos mecánicos, su unidad está sujeta a un desgaste incluso si se realiza en ella un mantenimiento correcto. Esta garantía no cubre las reparaciones cuando el uso normal ha agotado la vida útil de una pieza o del equipo. Las piezas que sufren desgaste y que deben someterse a programas de mantenimiento tales como los filtros, la correas, las cuchillas de corte y las zapatas del freno (las zapatas del freno del motor están cubiertas por la garantía) no están cubiertas por la garantía debido a que únicamente pueden desgastarse, a menos que el origen del desgaste sean defectos en el material o en la fabricación.

**Combustible en mal estado** - Para que este producto funciona correctamente, se necesita combustible fresco (reciente) que cumpla los criterios especificados en el manual del usuario. Los daños ocasionados por el combustible viejo (en mal estado), como fugas en el carburador, tubos de combustible obstruidos, válvulas obstruidas, etc. no están cubiertos por la garantía.

\* Esto sólo se aplica a los motores de Briggs and Stratton. La cobertura de la garantía de los motores no fabricados por Briggs and Stratton la ofrece el fabricante del motor.

## Declaración de Garantía sobre Control de Emisiones de California, U.S. EPA, y Briggs & Stratton Corporation Sus Derechos y Obligaciones bajo la Garantía

Abril 2011

La Junta de Recursos Ambientales de California (CARB), la U.S. EPA y Briggs & Stratton (B&S) se complacen en explicarles la garantía del sistema de control de emisiones en su motor/equipo Modelo 2011-2012. En California, los motores pequeños todo terreno y los motores grandes con encendido por chispa de menos que o igual a 1,0 litros nuevos deben ser diseñados, fabricados y equipados para cumplir los estrictos estándares anti-smog del Estado. B&S debe garantizar el sistema de control de emisiones en su motor/equipo por el período de tiempo listado abajo, teniendo en cuenta que no haya habido abuso, negligencia o mantenimiento incorrecto en su motor o equipo.

Su sistema de control de emisiones incluye partes tales como: el carburador o sistema de inyección de combustible, el tanque de combustible, el sistema de encendido y el convertidor catalítico. También puede incluir mangueras, correas, conectores y otros conjuntos relacionados con el sistema de control de emisiones.

Siempre que exista una condición de garantía, B&S reparará su motor/equipo sin ningún costo para usted incluyendo el diagnóstico, las partes y la mano de obra.

### Cobertura de la garantía del fabricante:

Los motores pequeños todo terreno y los motores grandes con encendido por chispa de menos que o igual a 1,0 litros se garantizan durante un período de dos (2) años. Si alguna de las partes relacionadas con emisiones en su motor/equipo se encuentra defectuosa, la parte será reparada o reemplazada por B&S.

### Responsabilidades del Propietario de la Garantía:

- Como propietario del motor/equipo, usted es responsable de que se lleve a cabo el mantenimiento requerido el cual se indica en su manual del propietario. B&S le recomienda guardar todos sus recibos que cubran el mantenimiento en su motor/equipo, pero B&S no solo puede negar la garantía por la falta de recibos sino por su omisión al asegurar la realización de todo el mantenimiento programado.
- Como propietario del motor/equipo, usted tiene que darse cuenta que B&S puede negarle la cobertura de la garantía si su motor/equipo o una de sus partes ha fallado debido a abuso, negligencia, mantenimiento incorrecto o modificaciones no aprobadas.
- Usted tiene la responsabilidad de llevar su motor/equipo a un centro de distribución de B&S, concesionario de servicio, o entidad equivalente, según el caso, tan pronto como exista un problema. Las reparaciones bajo garantía deben realizarse dentro de un período razonable, no superior a 30 días. Si usted tiene alguna pregunta sobre sus derechos y responsabilidades en cuanto a garantía, debe ponerse en contacto con B&S al (414) 259-5262.

## Provisiones de la Garantía del Sistema de Control de Emisiones de Briggs & Stratton Corporation

Las siguientes son provisiones específicas relativas a la Cobertura de la Garantía del Sistema de Control de Emisiones. Es un agregado a la garantía del motor B&S para los motores no-regulados que figuran en el Manual del Operador.

### 1. Partes relacionadas con emisión garantizadas

La cobertura bajo esta garantía se extiende únicamente a las partes listadas abajo (partes de los sistemas de control de emisiones) en el grado en que estas partes estaban presentes en el motor B&S y/o el sistema de combustible suministrado por B&S.

- a. Sistema de Medición de Combustible
    - Sistema de Enriquecimiento de Arranque en Frío (estrangulación suave)
    - Carburador y Partes Internas
    - Bomba de Combustible
    - Tubo de combustible, aditamentos tubo de combustible, abrazaderas
    - Tanque de combustible, cubierta y correa de sujeción
    - Filtro de carbón
  - b. Sistema de Inducción de Aire
    - Filtro de Aire
    - Múltiple de Admisión
    - Manguera de purga y ventilación
  - c. Sistema de Encendido
    - Bujía(s)
    - Sistema de Encendido con Magneto
  - d. Sistema Catalizador
    - Convertidor Catalítico
    - Múltiple de Escape
    - Sistema de Inyección de Aire o Válvula de Pulsación
  - e. Items Varios Usados en los Sistemas Anteriores
    - Vacío, Temperatura, Posición, Válvulas Sensitivas de Tiempo y Suiches
    - Conectores y Conjuntos
2. Duración de la Cobertura

Durante un período de dos (2) años a partir de la fecha original de compra, B&S garantiza al comprador original y a cada comprador subsiguiente que el motor ha sido diseñado, construido y equipado de manera que cumpla con todas las normas adoptadas por la Junta de Recursos Ambientales de California (CARB); que está libre de defectos de materiales y mano de obra que podrían causar la falla de una pieza garantizada; y que es idéntico en todos los aspectos importantes al motor descrito en la solicitud para certificación del fabricante. El período de garantía comienza en la fecha de la compra original del motor.

La garantía sobre las partes relacionadas con las emisiones es la siguiente:

- Cualquier parte garantizada la cual no esté programada para cambio de acuerdo con el mantenimiento requerido en el manual del propietario está garantizada durante el período de garantía antes mencionado. Si una parte tal falla durante el período de cobertura de la garantía, la pieza será reparada o sustituida por B&S sin costo alguno para el propietario. Cualquier parte reparada o sustituida de acuerdo con la garantía, estará garantizada por el resto del período de la garantía.
  - Cualquier parte garantizada que esté programada únicamente para la inspección periódica en el manual del propietario suministrado está garantizada durante el período de garantía antes mencionado. Cualquier parte reparada o sustituida de acuerdo con la garantía, estará garantizada por el resto del período de la garantía.
  - Cualquier parte garantizada la cual esté programada para cambio de acuerdo con el mantenimiento requerido en el manual del propietario suministrado está garantizada por el período previo al primer punto de reemplazo programado para esa parte. Si la parte falla antes del primer reemplazo programado, la pieza será reparada o sustituida por B&S sin costo alguno para el propietario. Cualquier pieza reparada o sustituida de acuerdo con la garantía, se garantizará por el resto del período con anterioridad al primer punto de reemplazo programado para esa pieza.
  - Las partes adicionales o modificadas que no estén exentas por la Junta de Recursos Ambientales no pueden ser utilizadas. El uso de cualquier accesorio no exento o de partes modificadas por el propietario será motivo para desestimar una reclamación de garantía. El fabricante no se hace responsable por las fallas de partes garantizadas causadas por la utilización de un accesorio no exento o una parte modificada.
3. Cobertura Consecuente
- La cobertura se extenderá hasta la falla de cualquiera de los componentes del motor ocasionada por la falla de cualesquier partes relacionadas con emisión que se encuentren bajo garantía.
4. Reclamos y Exclusiones de la Cobertura

Los reclamos de la garantía se completarán de acuerdo con las provisiones de la política sobre garantía del motor B&S. La cobertura de la garantía estará excluida para fallas de las partes relacionadas con emisiones que no sean partes originales B&S o para partes que fallen debido a abuso, negligencia o mantenimiento incorrecto según se establece en la política de garantía del motor B&S. B&S no se hace responsable de cubrir fallas de partes relacionadas con emisiones ocasionadas por el uso de partes adicionales o partes modificadas.

## Busque el Período de Durabilidad de Emisiones y la Información del Índice de Aire Pertinentes en la Etiqueta de Emisiones de su Motor Pequeño Todo Terreno

Los motores que son certificados porque cumplen con las Normas de Emisiones para motores pequeños todo terreno de la Junta de Recursos Ambientales de California (CARB) deben mostrar la información referente al Período de Durabilidad de Emisiones y al Índice de Aire. Briggs & Stratton hace que esta información esté disponible para el consumidor en nuestras etiquetas de emisiones. La etiqueta de emisiones del motor indicará la información de certificación.

El **Período de Durabilidad de Emisiones** describe el número de horas del tiempo real de operación para el cual el motor tiene certificación de conformidad de emisiones, asumiendo un mantenimiento apropiado de acuerdo con las Instrucciones de Mantenimiento y Operación. Se utilizan las siguientes categorías:

### Moderado:

El motor tiene certificación de conformidad de emisiones por 125 horas del tiempo real de operación del motor.

### Intermedio:

El motor tiene certificación de conformidad de emisiones por 250 horas del tiempo real de operación del motor.

### Extendido:

El motor tiene certificación de conformidad de emisiones por 500 horas del tiempo real de operación del motor. Por ejemplo, una máquina cortacésped típica de arrastrar es usada de 20 a 25 horas por año. Por lo tanto, el **Período de Durabilidad de Emisiones** de un motor con una **clasificación intermedia** debería ser equivalente de 10 a 12 años.

Se certifica que los motores Briggs & Stratton cumplen con las normas de emisiones Fase 2 o Fase 3 de la Agencia de Protección Ambiental de los Estados Unidos (USEPA). El Período de Conformidad de Emisiones al cual se refiere la Etiqueta de Conformidad de Emisiones indica el número de horas de operación para las cuales el motor ha demostrado que cumple con los requerimientos Federales sobre emisiones.

Para motores con un desplazamiento inferior a 225 cc.

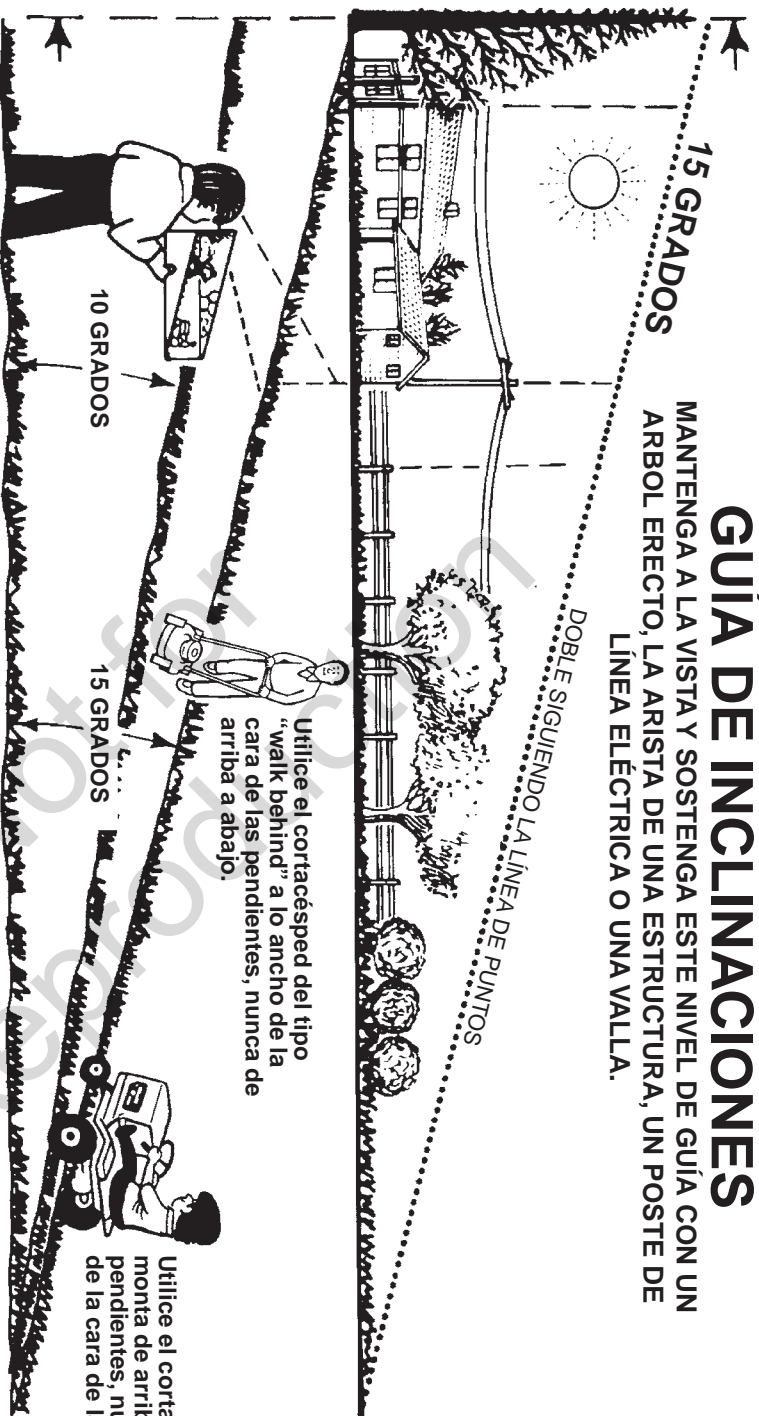
Categoría C = 125 horas, Categoría B = 250 horas, Categoría A = 500 horas

Para motores con un desplazamiento de 225 cc o superior.

Categoría C = 250 horas, Categoría B = 500 horas, Categoría A = 1000 horas

# GUÍA DE INCLINACIONES

MANTENGA A LA VISTA Y SOSTENGA ESTE NIVEL DE GUÍA CON UN ARBOL ERECTO, LA ARISTA DE UNA ESTRUCTURA, UN POSTE DE LÍNEA ELÉCTRICA O UNA VALLA.



En un cortacésped de monta, para determinar si una pendiente puede ser cortada con seguridad: (1) desacople la(s) cuchilla(s), (2) ponga la unidad en sentido contrario, y (3) Intente retroceder pendiente arriba. Si Vd. puede remontar la pendiente, será por lo general seguro cortar la hierba. Sin embargo, si no se siente completamente seguro, siga esta guía y no corte la hierba en pendientes cuya inclinación sea mayor de 15 grados. Si el cortacésped de monta se utiliza con un accesorio montado "pull-behind" o posterior, no utilice la unidad en pendientes cuya inclinación sea superior a 10 grados.

Una pendiente de 15% grados es la propia de una colina que incrementa su altura en aproximadamente 0,8 m cada 3 m (2,5 pies cada 10 pies). Una pendiente de 10% grados es la propia de una colina que incrementa su altura en aproximadamente 0,5 m cada 3 m (1,7 pies cada 10 pies).



Emplee la mayor precaución en todo momento y evite giros y maniobras bruscas. Siga el resto de instrucciones de este manual en pro de la seguridad cuando corte la hierba en pendientes. Utilice el cortacésped de monta de arriba a abajo de la pendiente y nunca a lo ancho de su cara. Utilice el cortacésped del tipo "walk-behind" a lo ancho de la cara de las pendientes, nunca de arriba a abajo de ésta. Emplee una precaución especial cuando trabaje en pendientes u obturaciones, o cerca de ellas.



# BRUTE™ by



---

## Especificaciones (Todos)

### Cortacésped

Dimensiones de la cubierta (plg / cm)	22 / 56
Altura de corte (plg / cm)	1.25 - 4.00 / 3,18 - 10,16
Tipo de transmisión	Velocidad/piñón variable
Velocidad de suelo (millas por hora / kilómetros por hora)	0 - 4 / 0 - 6,4
Torsión de cuchilla (lb-pie / Nm)	40 / 54

### Motor

Potencia bruta del motor * (lb-pie)	7.25
Desplazamiento del motor (cc)	190
Capacidad del depósito de combustible (cuartos de galones / litros)	1.0 / 0,95
Capacidad de aceite (oz / l)	18 - 20 / 0,54 - 0,59
Abertura de la bujía (pulg. / mm)	0.020 / 0,50
Torsión de bujía (lb-pulg. / Nm)	180 / 20

---

\* **Clasificación de la potencia del motor:** La clasificación de potencia bruta para el modelo de motor de gasolina individual está etiquetada de acuerdo con el código J1940 (Small Engine Power & Torque Rating Procedure) de la SAE (Society of Automotive Engineers), y la clasificación de rendimiento ha sido obtenida y corregida de conformidad con SAE J1995 (Revisión 2002-05) Los valores de torsión se derivan a 3060 RPM. Los valores de los caballos de fuerza se derivan a 3600 RPM. Puede ver las curvas de potencia bruta en [www.BRIGGSandSTRATTON.COM](http://www.BRIGGSandSTRATTON.COM). Los valores de potencia neta se obtienen con el filtro de aire y la ventilación instalados mientras que los valores de la potencia bruta se reúnen sin estos accesorios instalados. La potencia bruta efectiva del motor será superior a la de la potencia del motor y se verá afectada por, entre otros elementos, las condiciones ambientales de funcionamiento y variabilidad entre motores. Dado el amplio conjunto de productos en que se colocan los motores, el motor de gasolina no desarrollará la potencia bruta clasificada cuando se utilice en un componente de equipamiento de motor determinado. Estas diferencias son debidas a una amplia variedad de factores, incluidos, sin exclusión de otros, diferentes componentes del motor (limpiadores de aire, tubos de escape, carga, refrigeración, carburador, bomba de combustible, etc.), limitaciones de aplicación, condiciones ambientales de funcionamiento (temperatura, humedad, altitud) y la variabilidad entre motores. Debido a las limitaciones de fabricación y capacidad, Briggs & Stratton podrá sustituir una mayor potencia clasificada para este motor de serie.